

# Dispense valve *Product Information*

Series 06.003.234



## Description

Dispensers of sparkling, still or aerated water are becoming more common in hospitals, old people's homes and other public places.

This solenoid valve is specially designed to meet the requirements of such dispensers. Available with two separate inlets, where flow can be individually adjusted, enabling the dispense of two different drinks.

For easy assembly the inlets are equipped with quick connectors.

The use of high quality materials for all parts in contact with the medium ensure there are no taste or taint problems.

## Applications

Beverage dispensers for

- soda water (premixed with CO<sub>2</sub>)
- aerated water O<sub>2</sub> (premixed with O<sub>2</sub>)
- fruit juice of low viscosity (premixed with CO<sub>2</sub>)



**A.u.K. Müller**

Solenoid valves  
Control valves  
Special valves and systems

A. u. K. Müller GmbH & Co. KG  
Dresdener Str. 162  
D-40595 Düsseldorf/Germany

Tel.: +49(0)211-7391-0  
Fax: +49(0)211-7391-281

e-mail: [info@akmueller.de](mailto:info@akmueller.de)  
Internet: [www.akmueller.de](http://www.akmueller.de)

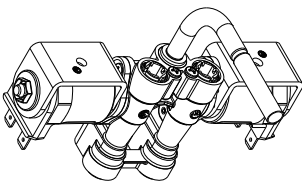
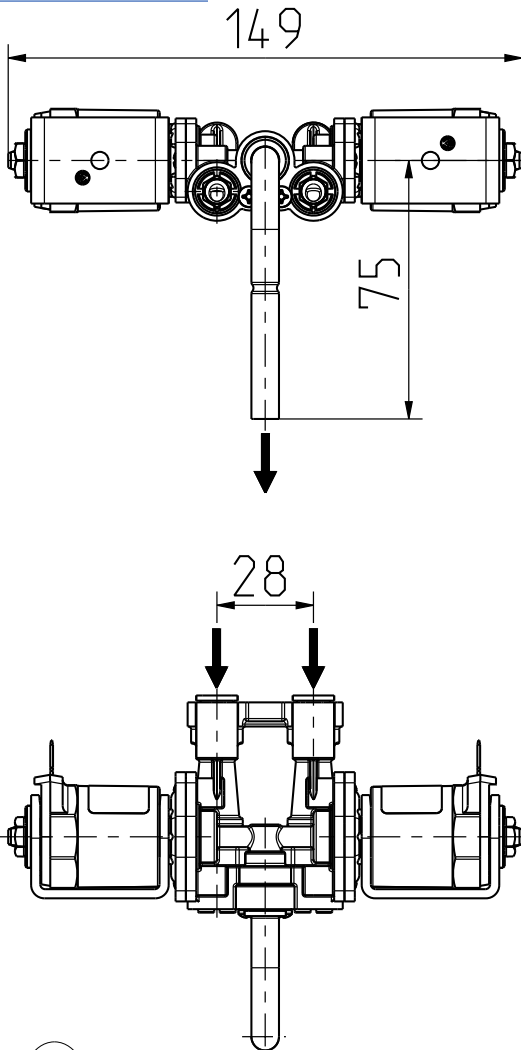
## Characteristics

- compact design
- easy to assemble and service
- each inlet has a manual adjuster to regulate flow and bubble size
- high quality materials ensure no taste or taint of the medium
- prevention against beverage contamination caused by undesirable build of oxidation





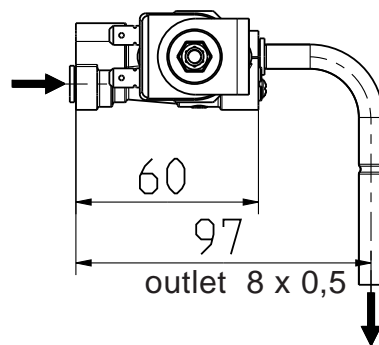
Series 06.003.234



Technical Data

Type	solenoid dispense valve		
Construction	direct acting		
Function	NC (normally closed)		
Fitting position	any		
Media	water, soda-water and juice (low viscosity)		
T-Medium	30	°C max.	
T-Ambient	60	°C max.	
DN	3	mm	
p-Operating	0 - 7	bar	
flow rate	5	l/min max.	
Flow regulator	manually adjustable		
Coil type	MS.006		
Nominal voltages	12	V DC	
	24	V DC	
	24	V AC	50 Hz
	24	V AC	60 Hz
	other voltages on request		
Voltage tolerance	+10% -15%		
Duty cycle	100%		
Nominal power	12,8 W	13 VA (AC only)	
Protection Type	IP 00		
Coil connections	flat tabs 6,3 x 0,8 mm		
Insulation class	F	according to EN 60730	
Protection class	I	according to EN 60730 (for incorporation in class I)	

retaining bore holes for self tapping screws Ø 3,5 / depth 13



Quick connector for pipe O.D. 8 mm

Materials

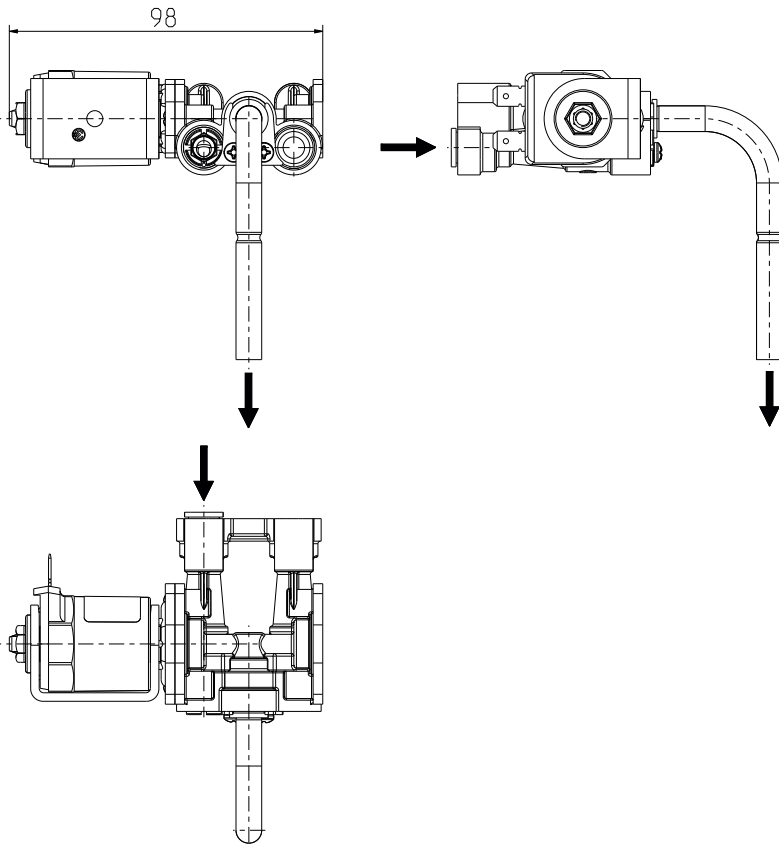
Valve body	PPSU
Plunger guide	stainless steel
Plunger and spring	stainless steel
Short circuit ring	silver
Outlet pipe	stainless steel
Membrane and sealings	EPDM
Coil coating	PBT, PET or epoxy resin

# Dispense valve *Product Information*

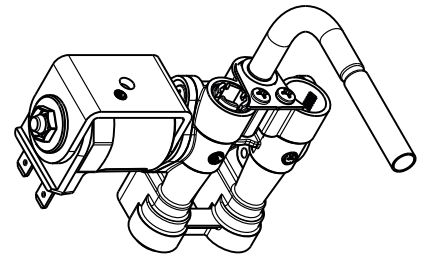


**A.u.K. Müller**

## Series 06.003.114



More options with only one valve equipped, either left or right.



## Series 06.003.124

