

# Product Information

## 2/2 way direct acting solenoid valve NC DN 1 - 5 not media separated, duty cycle 100 %



**A. u. K. Müller**

Solenoid valves  
Control valves  
Special valves and systems

A. u. K. Müller GmbH & Co. KG  
Dresdener Str. 162  
D-40595 Düsseldorf/Germany

Tel.: +49(0)211-7391-0  
Fax: +49(0)211-7391-281

e-mail: info@akmueller.de  
Internet: www.akmueller.de

### Series 43.00x.I42



### Characteristics

- Direct acting
- Compact design
- Long term performance capability
- Suitable for food and hot water appliances
- Works from zero pressure
- Similar hydraulic performance for AC or DC types
- DC version with low noise and low wear out due to internal plunger attenuation
- Easy to assemble and service
- Coil change without opening of medium circuit, coil can be mounted 4 x 90°
- High operating safety through the use of high quality and 100% final testing of the product

### Applications

- Hot / cold drink dispensers
- Medical equipment
- Water treatment systems
- Laboratory devices
- Automatic welding equipment

### Description

2/2-way solenoid valve of different nominal diameters for use with neutral gases and liquids. This valve is direct controlled and normally closed (NC).

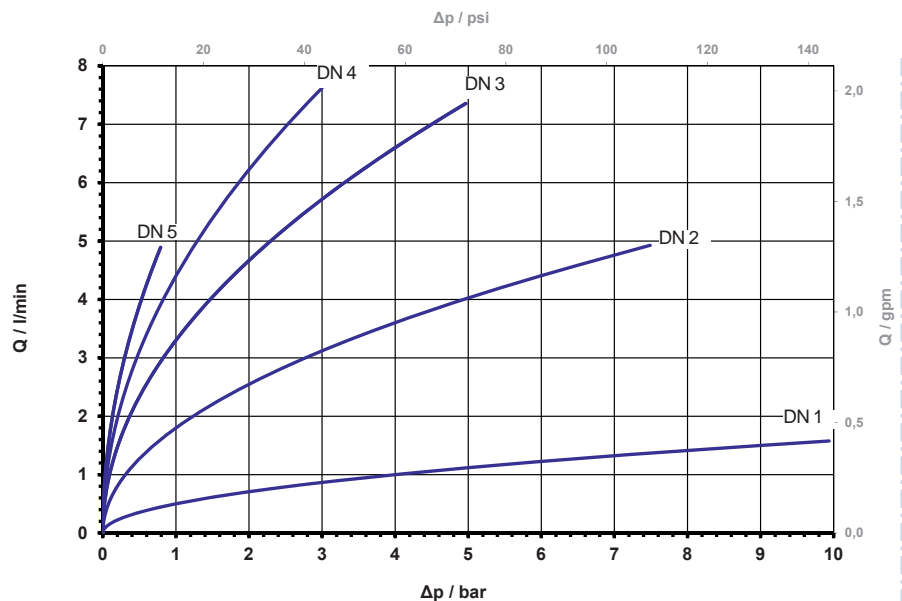
Valves of this design are single chamber straight through valves, with nozzles at outlet and inlet.

The use of PEI and PPSU for the valve housing allows the use in hot water. PPSU offers unlike PEI improved chemical and hydrolysis resistance.

This valve is designed for continuous operation (duty cycle 100%).

Electrical operating safety is achieved by using high quality materials of insulation class F and can be supported by an additional protection circuit.

typical performance curve (fluids)



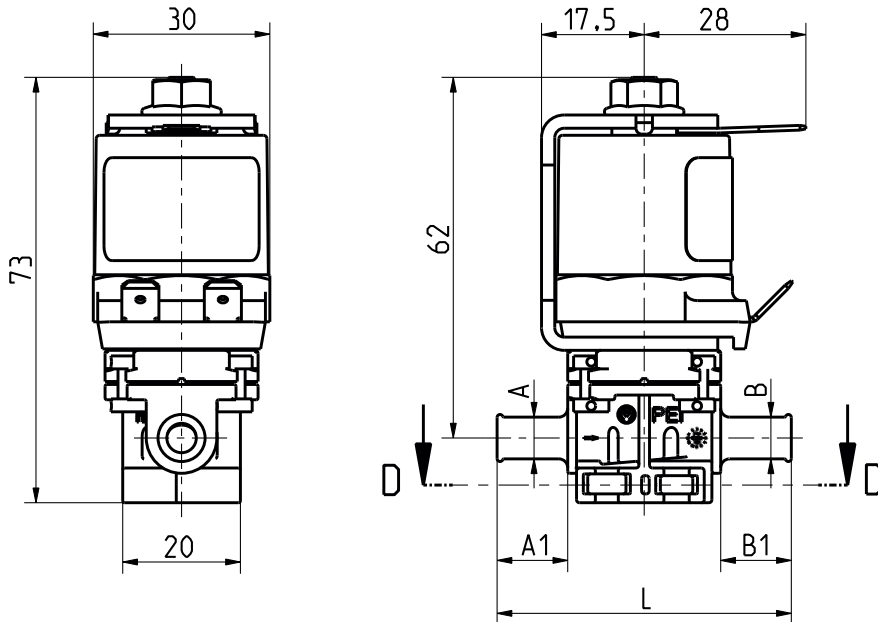
# Product Information

## 2/2 way direct acting solenoid valve NC DN 1 - 5 not media separated, duty cycle 100 %



A. u. K. Müller

### Series 43.00x.I42

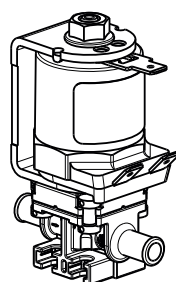


### Materials

Valve body	PEI PPSU
Plunger guide	stainless steel
Plunger	stainless steel
Sealing	EPDM FPM (on request)
Coil coating	PBT, PET or epoxy resin

### Options

	Inlet		Outlet		
	Ø	A1	Ø	B1	L
nozzle	7	12	7	12	50



### Technical Data

Type	solenoid valve	
Construction	2/2-way single chamber straight valve, direct acting	
Function	NC (normally closed)	
Fitting position	any	
Media	neutral gases, cold and heated potable water and physically and chemically similar media	
T-Medium for connections nozzle	98	°C max.
John Guest	65	°C max. on request
T-Ambient for connections nozzle	70	°C max.
John Guest	65	°C max. on request

DN	Cv-value	p-Operating	p-Operating
mm	l/min	bar in flow direction	bar against flow direction
PEI valve housing			
1	0,5	0 - 10,0	0 - 10,0
2	1,8	0 - 7,5	0 - 7,0
3	3,3	0 - 5,0	0 - 3,5
4	4,4	0 - 3,0	0 - 1,5
5	5,5	0 - 0,8	0 - 0,8
PPSU valve housing			
1,5	1,1	0 - 12,0	0 - 9,5
3	3,3	0 - 3,0	0 - 3,0

Coil type	MS.006		
Nominal voltages	12	V DC	
	24	V DC	
	24	V AC	50/60 Hz
	110	V AC	50/60 Hz
	230	V AC	50/60 Hz
other voltages on request			

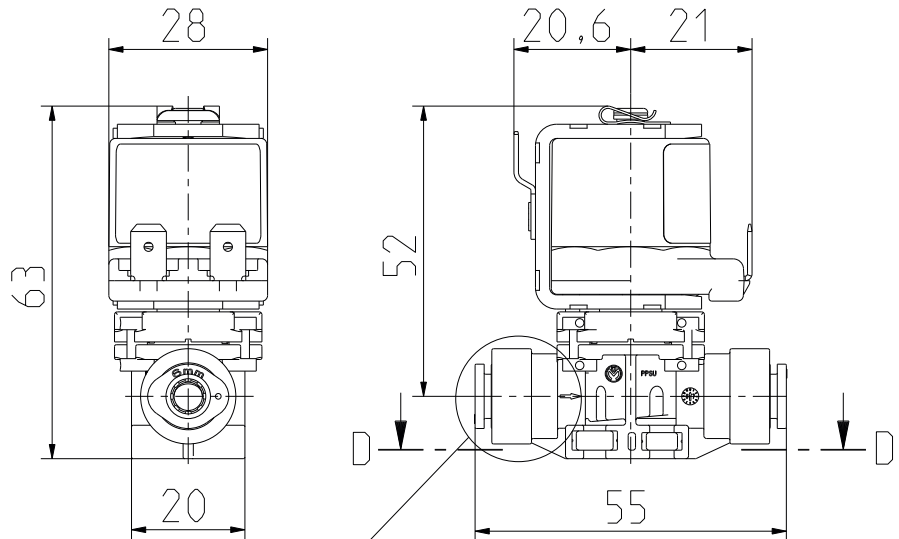
Voltage tolerance	+10% -15%		
Duty cycle	100%		
Nominal power	10,2 W	18 VA (AC)	
Protection Type	IP 00		
Coil connections	Flachstecker 6,3 x 0,8 mm		
Insulation class	F	according to EN 60730	
Protection class	I	according to EN 60730	(for incorporation in class I)

**2/2 way direct acting solenoid valve NC**  
**DN 1 - 5 not media separated, duty cycle 100 %**

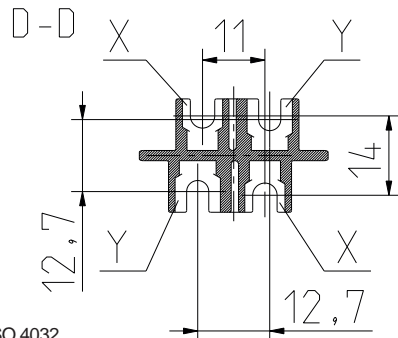
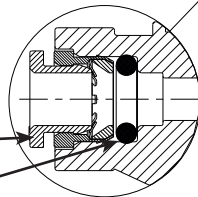


**A. u. K. Müller**

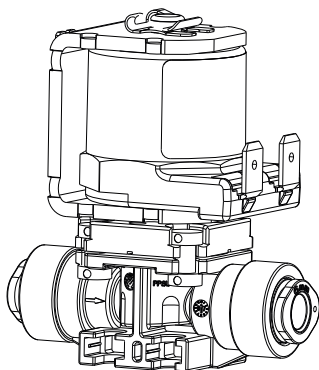
**Series 43.00x.I42**



FitSys 18 cartridge	PPSU
John Guest cartridge	POM
O-ring	
FitSys 18 cartridge	FPM
John Guest cartridge	EPDM



slot for nut  
 X = M4 DIN EN ISO 4032  
 Y = N 6-32 UNC ANSI B.1



**Options**

	Inlet	Outlet	Length	
	∅	∅		
FitSys 18 cartridge	6	6	55	on request
John Guest cartridge				
Fit Sys 18 cartridge	8	8	55	on request
John Guest cartridge				
John Guest cartridge	1/4"	1/4"	55	


The FitSys 18 connections are suitable for medium and ambient temperatures of up to 98°C. The applicability of the John Guest connection to medium- or ambient temperatures higher than 65°C is temporarily feasible, but has to be verified accordingly in the respective application.

**2/2 way direct acting solenoid valve NC**  
**DN 1 - 5 not media separated, duty cycle 100 %**



**A. u. K. Müller**

**Series 43.00x.142**



Solenoid valves  
Control valves  
Special valves and systems

A. u. K. Müller GmbH & Co. KG  
Dresdener Str. 162  
D-40595 Düsseldorf/Germany

Tel.: +49(0)211-7391-0  
Fax: +49(0)211-7391-281

e-mail: [info@akmueller.de](mailto:info@akmueller.de)  
Internet: [www.akmueller.de](http://www.akmueller.de)