

Product Information

Fixing Bracket, angled



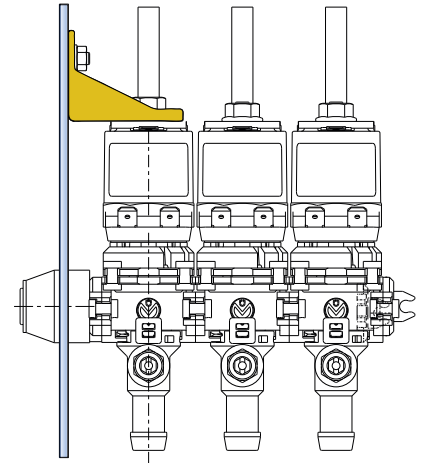
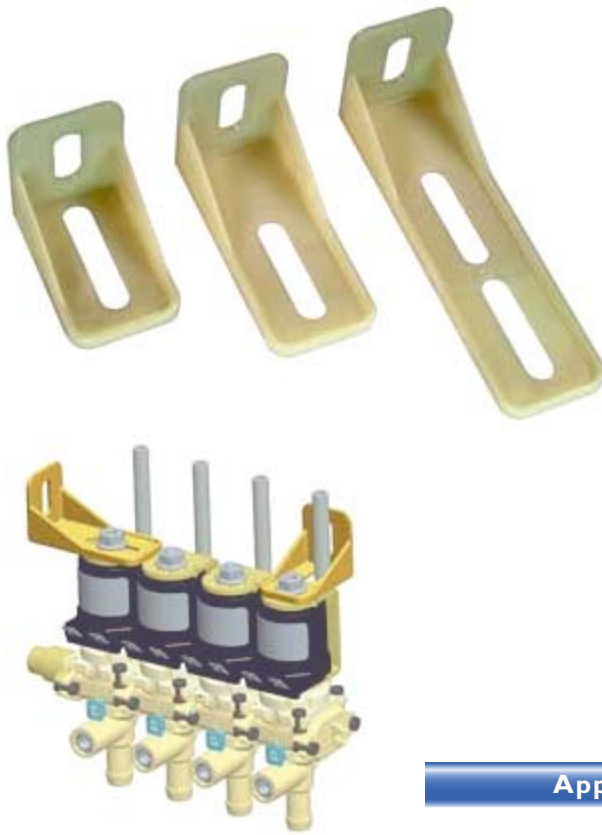
A.u.K. Müller

Solenoid valves
Control valves
Special valves and systems

A.u.K. Müller GmbH & Co. KG
Dresdener Str. 162
D-40595 Düsseldorf/Germany

Tel.: +49 211 7391-0
Fax: +49 211 7391-281

e-mail: info@akmueller.de
Internet: www.akmueller.de



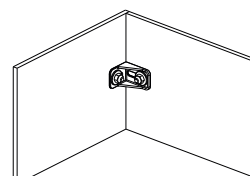
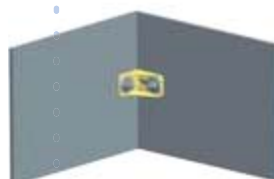
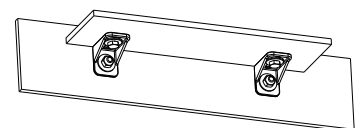
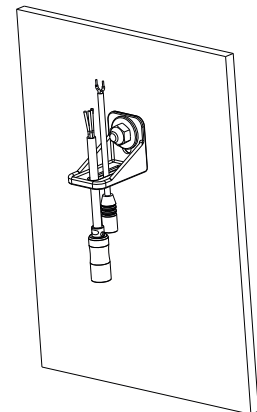
Applications

Description

These fixing brackets are made from rigid polyamide (PA 66) and are suitable for use with **40.008** and **46.008** series single and banked valves.

The oblong holes cut into the bracket are positioned between the coil bracket and the coil nut and also have sufficient space to easily accommodate the valves' breather tube.

Three different sizes of fixing brackets are available to offer reliable mounting solutions for various valve specifications. They are particularly suited for use in applications where space is at a premium such as drinks vending machines, but could also be used for a variety of other fixing tasks such as cable routing, the support of light load bearing surfaces or to fix side panels.

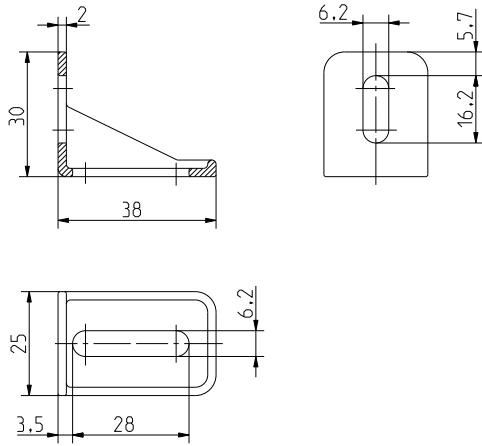


Product Information

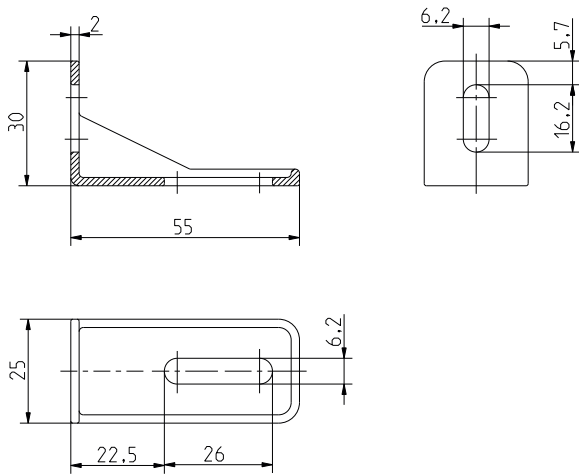
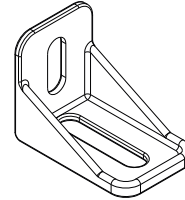
Fixing Bracket, angled



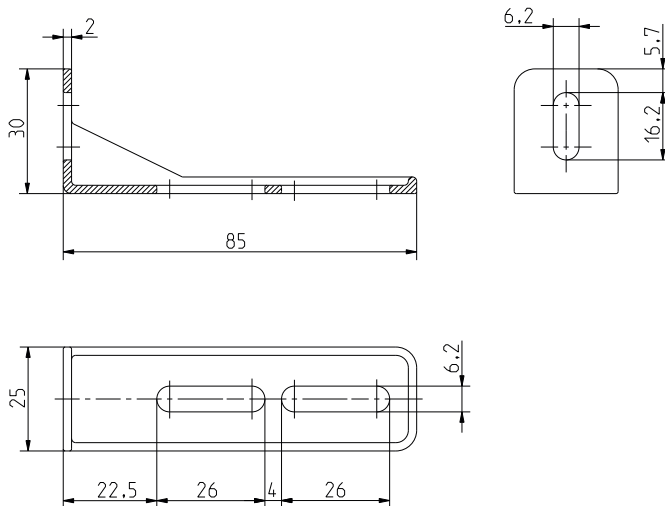
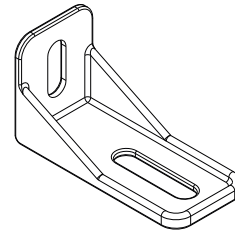
A.u.K. Müller



ID: 008106



ID: 008104



ID: 008105

