

# Adjuster Wheel

# Information



**A.u.K. Müller**

Solenoid valves  
Control valves  
Special valves and systems

A.u.K. Müller GmbH & Co. KG  
Dresdener Str. 162  
D-40595 Düsseldorf/Germany

Tel.: +49 211 7391-0  
Fax: +49 211 7391-281

e-mail: [info@akmueller.de](mailto:info@akmueller.de)  
Internet: [www.akmueller.de](http://www.akmueller.de)



**ID: 008381**

## Characteristics

- precise location in regulation screw
- easy to fit and remove
- can remain situated in regulating screw
- specially shaped non-slip wheel
- hole in wheel for optional tethering

## Applications

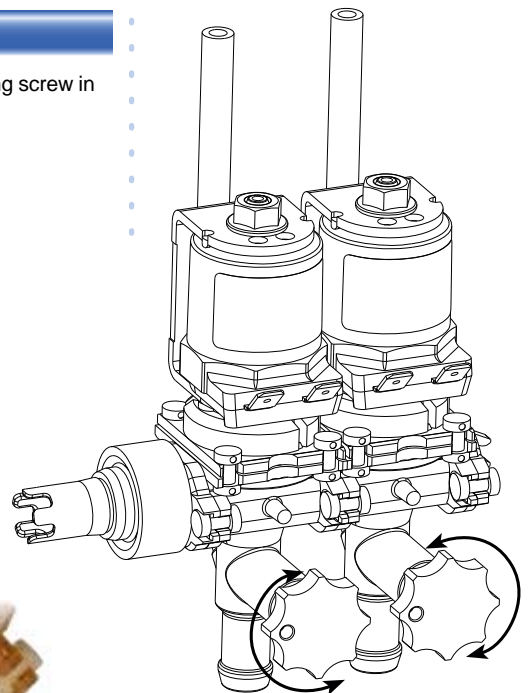
- Dispense valves with regulating screw in outlet nozzle

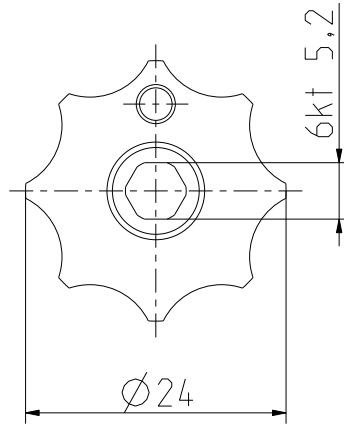
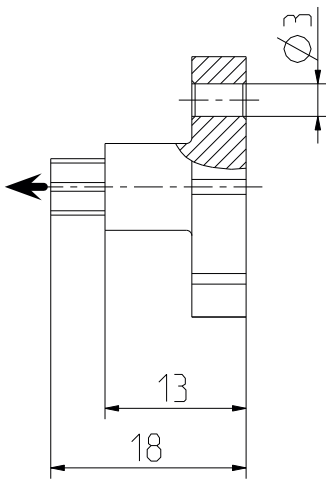
## Description

The adjuster wheel makes it easier to adjust the flow adjuster screws of 40.00x and 46.00x series dispense valves.

The hexagonal section of the adjuster wheel securely locates into the similarly shaped flow adjuster. The specially shaped wheel enables easy turning of the regulating screw and therefore the flow rate.

A hole in the wheel allows for optional tethering for security or ease of accessibility

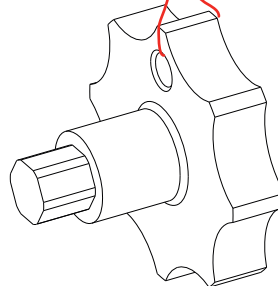




### Material

Adjuster Wheel

POM



Hole in the wheel allows for optional tethering for security and ease of accessibility.