



Series



Characteristics

- Fit to valve without tools possible
- Provides secure mounting within cabinet

Applications

- For solenoid valves with magnet brackets width of 25 mm and thickness of 2,25 mm or 2,65 mm.

The selection of the appropriate flange for the solenoid valve in use is supported by our sales staff.

Description

The flange allows for additional mounting support for numerous A.u.K. Müller solenoid valves.

The flange is clamped to the yoke plate of the coil and provides a secure fixation of the valve in cabinet housings.

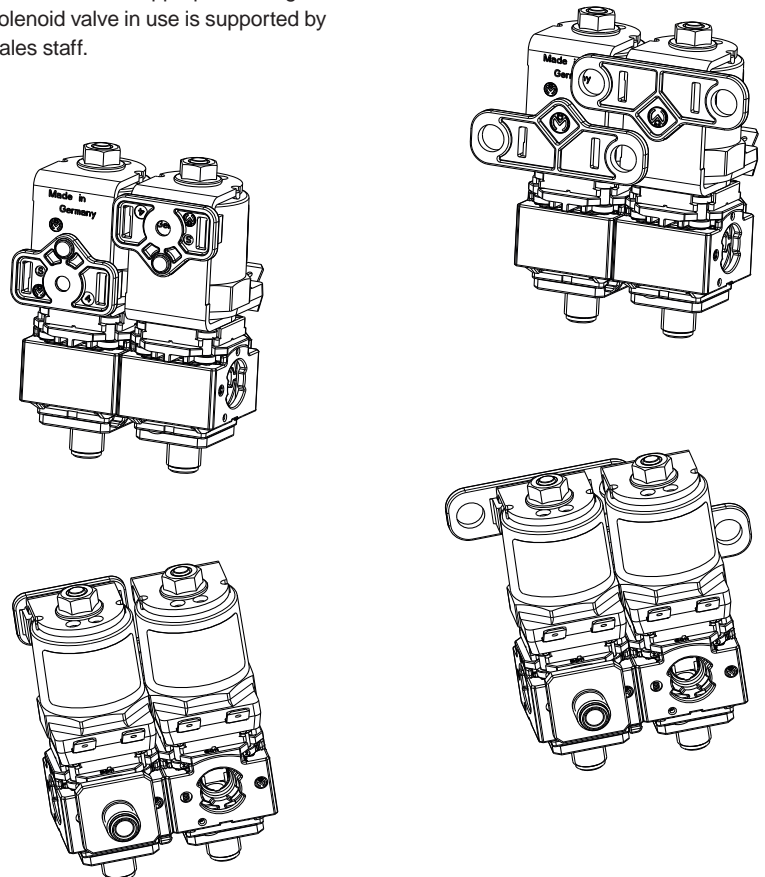
Two versions are available, which differ in the case mounting with one or two screws. The rotation of the single-screw version is ensured by a back pin on the flange, the counterpart must be taken into account in the case.

A factory pre-assembly of the flange on the yoke of the magnet coil is recommended.

The flange is intended to be attached and not meant to be attached and removed several times.

Materials

Flange	PPSU
--------	------



Flange

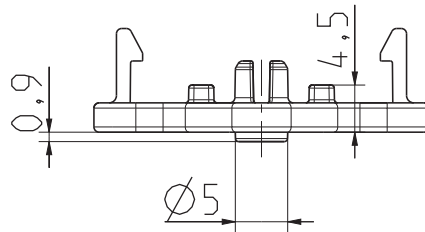
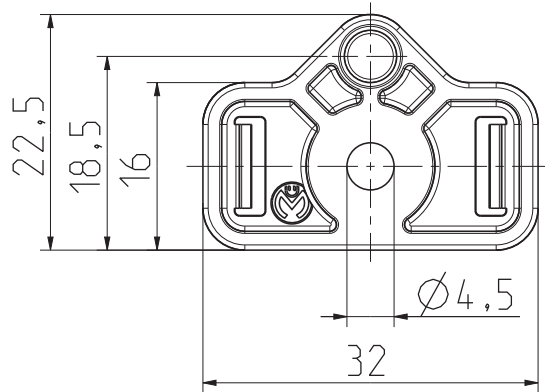
Product Information



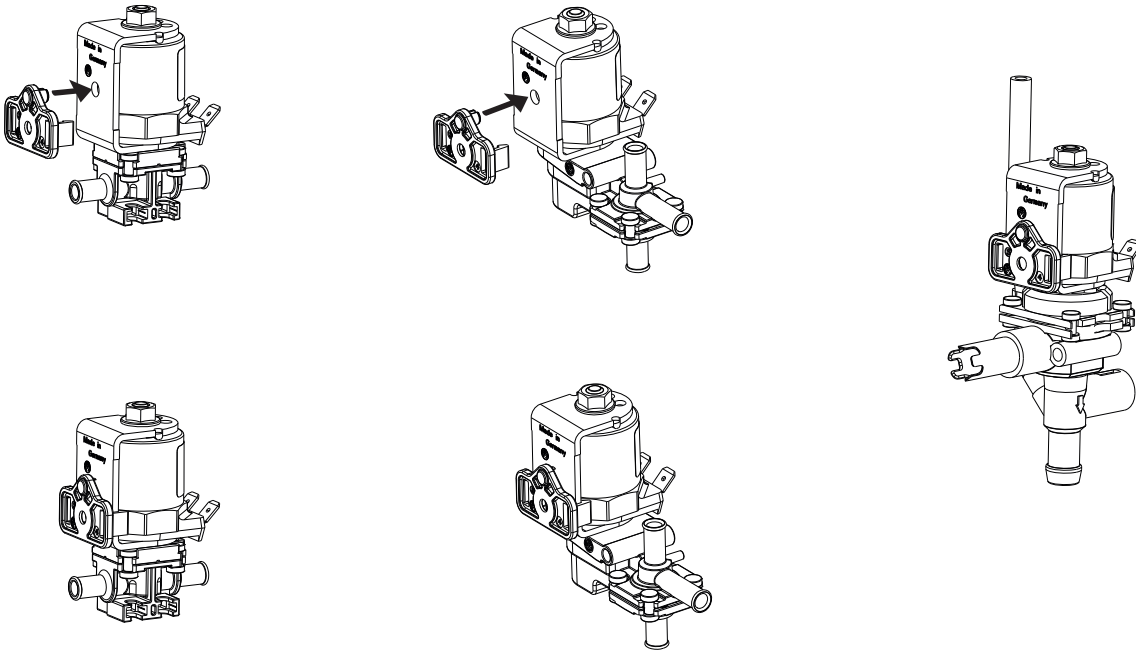
A. u. K. Müller

ID 010137,
for bracket width 25 mm and thickness 2,25 mm (ID 007008)

ID 010138,
for bracket width 25 mm and thickness 2,65 mm (ID 004937)



Example of assembly



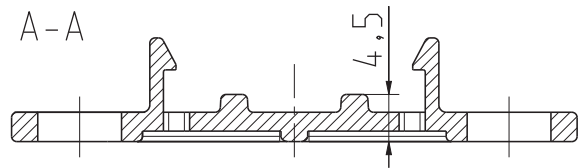
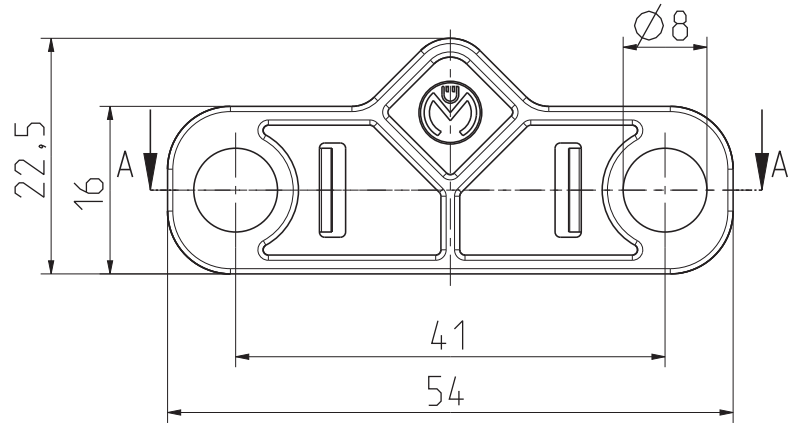
Flange

Product Information



A. u. K. Müller

ID 008335,
for bracket width 25 mm and thickness 2,25 mm (ID 007008)



Example of assembly

