

# Product Information

## Pressure Reducer



## A.u.K. Müller

Solenoid valves  
Control valves  
Special valves and systems

A. u. K. Müller GmbH & Co. KG  
Dresdener Str. 162  
D-40595 Düsseldorf/Germany

Tel.: +49(0)211-7391-0  
Fax: +49(0)211-7391-281

e-mail: [info@akmueller.de](mailto:info@akmueller.de)  
Internet: [www.akmueller.de](http://www.akmueller.de)

### Series 42.010.000



### Characteristics

- outlet pressure adjustable, factory presettable
- balancing of inlet pressure
- suitable for hot water up to 90°C
- ambient temperature up to 70°C
- reduced noise of flow
- compact design
- design in allusion to EN 1567
- long term performance capability by the use of high quality materials

### Applications

- pressure reducing
- flow rate regulation
- protection of pressure caused damages of pipework downstream

### Description

The pressure regulator converts variable inlet pressure into a lower, constant outlet pressure. It can be used to protect equipment from high or inconsistent incoming medium pressure.

This reduced and constant outlet pressure also enables a constant flow rate to be achieved independently of the incoming pressure. The orifice used to maintain this constant flow rate should be placed immediately after the pressure reducer. The pressure can easily be adjusted within the regulators specification range and is ideal for applications that require a constant flow rate or a specific timed volume delivery.

To ensure operation and long reliability of the pressure regulator it is recommended that a dirt strainer is fitted to the inlet. Check valves or solenoid valves can be placed downstream of the regulator.

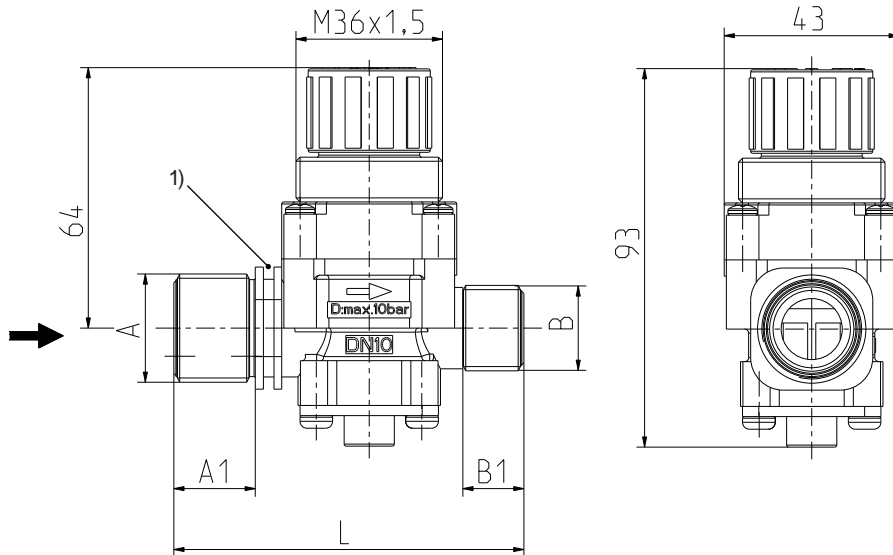
# Product Information

## Pressure Reducer



A.u.K. Müller

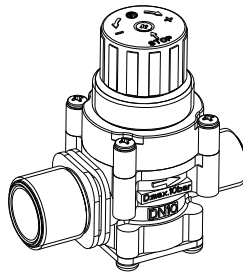
### Series 42.010.000



1) Fixing groove

### Materials

Valve body	PA 66 glass fibre reinforced
Spring and other metal parts	stainless steel
Membrane and sealings	EPDM

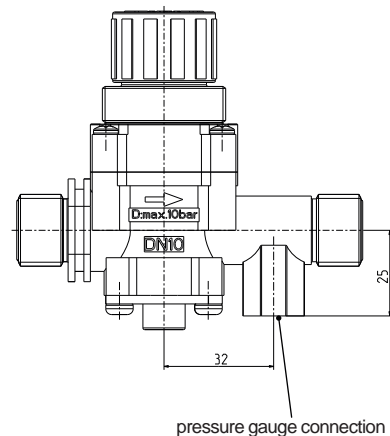


### Technical Data

Type	pressure reducer	
Construction	single chamber straight	
Fitting position	any, direction of flow marked by arrow	
Media	cold and heated potable water and physically and chemically similar media	
T-Medium	90	°C max.
T-Ambient	70	°C max.
DN	10	mm
p-Operating	3 - 10	bar (min. 2 bar above outlet pressure)
p-Outlet	1 - 8	bar
Cv-value	25	l/min
Attachment	Using flange or center nut M 36 x 1,5	

### Options

Material	Inlet	A1	Outlet	B1	Length	
	Ø A		Ø B		L	
PA 66	G 3/4	20	G 1/2	15	86	
PA 66	G 3/8	13	G 3/8	13	77	
PA 66	G 3/4	20	G 3/4 female gland nut	20	88	
PA 66	G 3/4	20	G 1/2	15	106	pressure gauge connection G 1/4
PA 66	G 1/2	15	G 1/2	15	101	pressure gauge connection G 1/4
PA 66	G 3/4	20	G 1/2	15	106	pressure gauge connection M10 x 1
PA 66	G 3/4	20	G 3/4 female gland nut	42	107,5	pressure gauge connection G 1/4
PA 66	G 3/4	20	G 3/4	18	109	pressure gauge connection G 1/4





### Series 42.010.000

## Outlet pressure adjustment



Please make sure that the pressure regulator is not bended during installation:

- Please support connections properly
- Please align connections properly

## Outlet pressure adjustment

- Release screw in middle of the cap
- Unlock the cap by pulling
- Set the desired output pressure by turning the cap
- Press back cap into the locking position
- Tighten again the screw in the cap middle slightly

Upon delivery, the outlet pressure is factory set at 3 bar. Custom presets are available on request.

