

Product Information

Direct acting solenoid valve NC



A. u. K. Müller

Solenoid valves
Control valves
Special valves and systems

A. u. K. Müller GmbH & Co. KG
Dresdener Str. 162
D-40595 Düsseldorf/Germany

Tel.: +49(0)211-7391-0
Fax: +49(0)211-7391-281

e-mail: info@akmueller.de
Internet: www.akmueller.de

Series 27.00x.126



Characteristics

- Direct acting
- Normally closed (NC)
- Solenoid replaceable while medium circuitry remains untouched, solenoid rotatable 4 x 90°
- Suitable for hot water up to 85°C
- Long term performance capability
- High operating safety by the use of high quality materials and 100% final testing of the products

Applications

- Steam appliances
- Dental appliances
- Industrial appliances
- Air conditioning
- Ice machines
- Water treatment

Description

The valves, series 27.00x.126, are direct acting 2/2 way solenoid valves with an orifice size of up to 5 mm. Thus, customisation of the nominal width up to DN 5 is possible. Currently available are DN 1.6, DN 2 and DN 3. The valves are normally closed (NC).

Valves of this design are single chamber straight through valves and can be manufactured with various connections.

Coil systems for common voltage and frequency ranges are available.

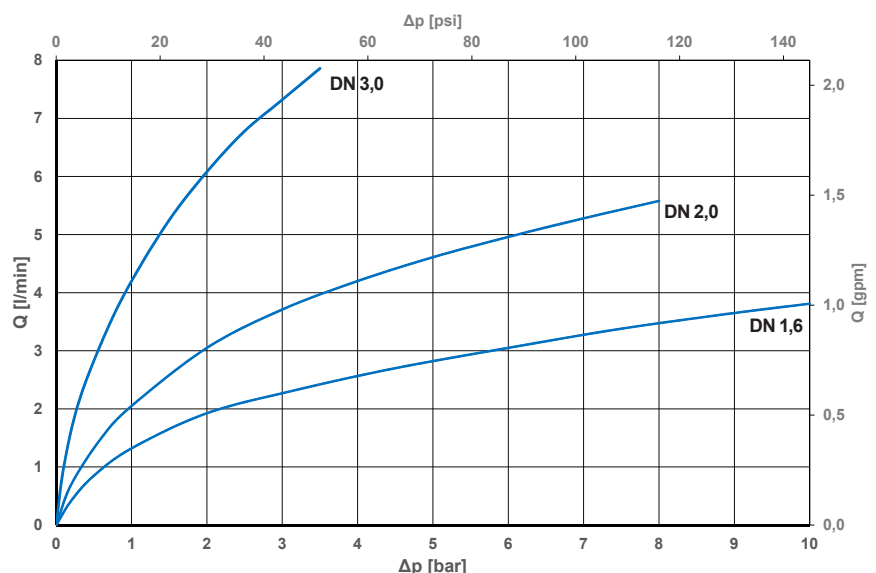
Electrical operating safety is achieved by insulation class F and can be supported by an integrated protective circuit.

By using high quality insulation materials, continuous duty (100 % ED) at higher medium temperatures is possible. The glass fibre reinforced polyamide valve body persists hot water.

Corrosion protection of inner metal parts in contact with water is achieved by using stainless steel.

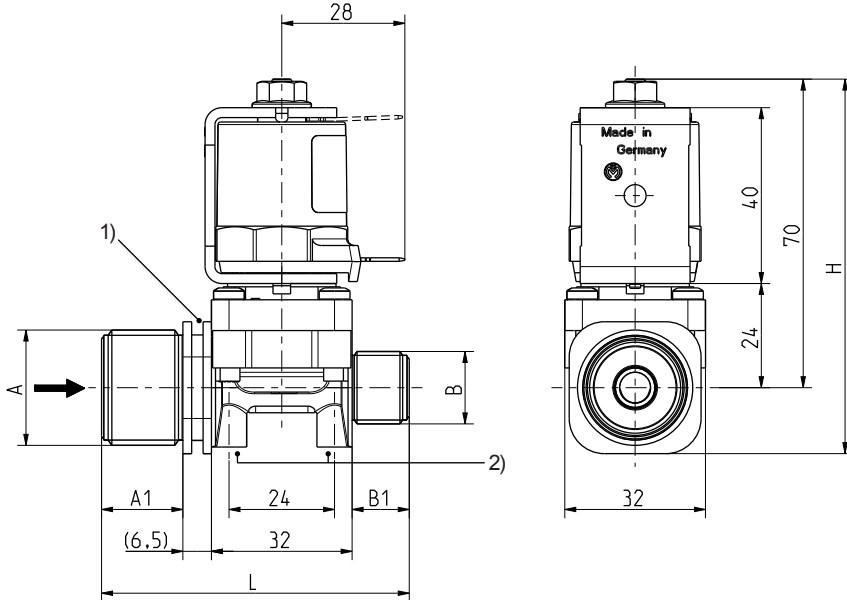
Main application area of the valves are the control of hot and cold drinking water and other similar media particularly when a fast opening and closing of the valve is required for accurate dosing.

typical performance curve





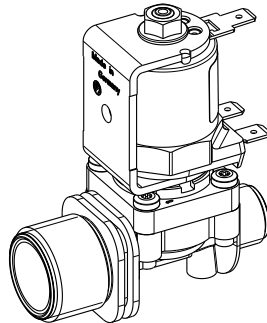
Series 27.00x.126



- 1) Fixing groove
- 2) Fixing possibility for self tapping screw Ø 3,5

Materials

Valve body	PA 66 glass fibre reinforced PPE on request
Valve seat	stainless steel
Plunger guide	stainless steel
Plunger and spring	stainless steel
Membrane and sealings	EPDM NBR (on request)
Coil coating	PBT, PET or epoxy resin
Filter (inlet)	stainless steel POM (on request)



Technical Data

Type	solenoid valve		
Construction	2/2-way single chamber straight valve, direct acting		
Function	NC (normally closed)		
Fitting position	any, preferably with coil upwardly		
Media	cold and heated potable water and physically and chemically similar media		
T-Medium	85	°C max.	
T-Ambient	60	°C max.	
DN	Cv-value	p-Operating	p-Operating
mm	l/min	bar (in flow direction)	bar (against flow direction)
1,6	1,5	0 - 10	0 - 1,0
2,0	2,5	0 - 8	0 - 0,5
3,0	4,8	0 - 3,5	0 - 0,2
Flow regulator	on request		
Pressure surge	according to EN 60730		
Coil type	MS.006, MS.024, MS.025		
Nominal voltage	230	V AC	50 Hz
	other voltages on request		
Voltage tolerance	+10% / -15%		
Duty cycle	100%		
Nominal power	9	W	
Protection Type	IP 00 up to IP 68		
Coil connections	flat tabs 6,3 x 0,8 mm plug socket according to EN 175301-803 (IP65), several cable connections (IP67, IP68)		
Insulation class	F	according to EN 60730	
Protection class	I	according to EN 60730 (for incorporation in class I)	

Options

Material	Inlet	Fixing groove	Outlet	Length	Height	Depth		
	Ø A	A1	1) Ø B	B1	L	H	T	
PA 66	G 1/2	15.0	no	G 1/2	15.0	62.0	83,5	32.0
PA 66	G 3/8	13.0	no	G 3/8	13.0	58.0	83,5	32.0
PA 66	G 3/4	18.5	yes	G 3/4	15.0	72.0	83,5	32.0
PA 66	G 3/8	13.0	no	12.0 Nozzle	15.5	62.0	83,5	32.0
PA 66	G 1/2	15.0	no	12.0 Nozzle	15.5	64.0	83,5	32.0
PA 66	G 3/4	18.5	yes	12.0 Nozzle	15.5	74.0	85.0	32.0
PA 66	G 3/4	18.5	yes	G 3/8	13.0	70.0	85.0	32.0
PA 66	G 3/4	18.5	yes	G 1/2	15.0	72.0	85.0	32.0
PA 6/6	3/8" JG*	17.0	no	3/8" JG*	17.0	66.0	83,5	32.0
PA 6/6	8 JG*	17.0	no	8 JG*	17.0	66.0	83,5	32.0



*John Guest cartridge in valve body, max. media temperature 60 °C