

Miniature valve, monostable

Product Information



A. u. K. Müller

Solenoid valves
Control valves
Special valves and systems

A. u. K. Müller GmbH & Co. KG
Dresdener Str. 162
D-40595 Düsseldorf/Germany

Tel.: +49(0)211-7391-0
Fax: +49(0)211-7391-281

e-mail: info@akmueller.de
Internet: www.akmueller.de

Series 19.00x.287



Characteristics

- Direct acting valve with miniaturized design
- Plug-in valve with a station width of 15 mm
- Monostable version
- Fast switching times
- Suitable for hot water up to 70 °C
- Ambient temperature up to 60 °C
- Suitable for the thermal as well as chemical disinfection
- Hygiene benefit by 100% final testing with air
- Long term performance capability by the use of high quality materials
- Testing of each device ensures highest quality standard

Applications

- Dosing valve for small quantities
- Sampling valve
- Block valve in fluid manifolds
- Pilot valve unit for servo controlled main valves

Description

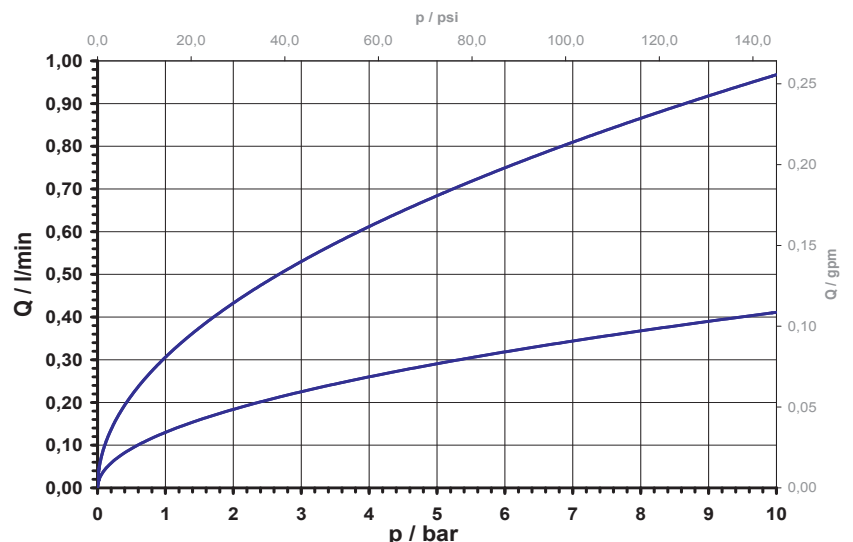
The mono stable, direct controlled 2/2-way valve 19.00x.287 available with a nominal orifice of 0,5 mm or 0,8 mm, is used as dosing valve or block valve in parallel fluid handling as well as pilot valve for servo controlled main valves in a pressure range up to 10 bar.

By combination of the pilot valve with servo components, the control of larger volume flows can be easily implemented, allowing the flexible realization of different flow paths. Furthermore, a high level of serviceability is achieved by an easily replaceable component.

The valve is characterized by its compact design, low power consumption and a safe valve function with high long-term durability.

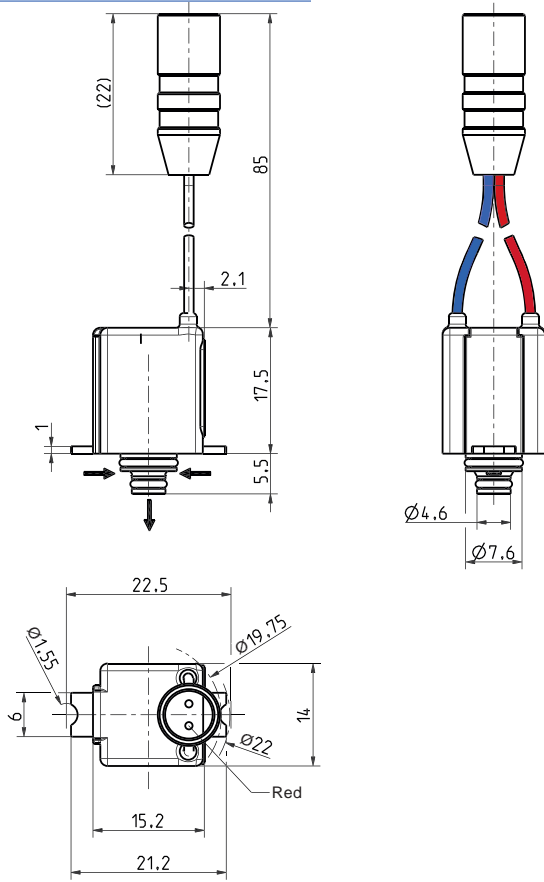
Also available as latching type, see separate data sheet.

typical performance curve (determined in plug-in contour)





Series 19.00x.287



Technical Data

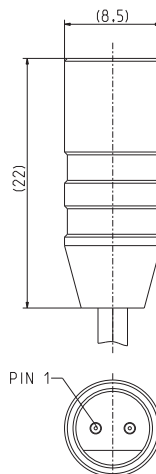
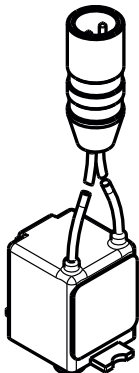
Type	miniature valve	
Construction	2/2-way, plug-in, direct controlled	
Function	NC (normally closed)	
Fitting position	any	
Media	cold and heated potable water and physically and chemically similar media	
T-Medium	5 - 70	°C
T-Ambient	5 - 60	°C
p-Operating	0,3 - 10,0	bar
optional voltage reduction		
	$t_{start} : 100 \text{ ms}$	$tp:T \geq 1:3 \text{ [}>100\text{Hz]} \text{ PWM}$
	$t_{start} : 100 \text{ ms}$	$tp:T \geq 1:4 \text{ [}>1\text{kHz]} \text{ PWM}$
Duty cycle	100%	
Protection Type	IP 65	higher on request
Insulation class	B	according to EN 60730

Materials

Plunger guide and vave body	LCP
Plunger and spring	stainless steel
Seal	EPDM (VMQ on request)
O-Rings	EPDM
Coil coating	hotmelt

Options

DN	Cv @ 1 bar	Nominal voltage	Nominal power
		voltage tolerance -15 % +10 %	at nominal voltage
0,5	0,13 l/min	12 V DC	1,7 W
		24 V DC	1,8 W
		12 V AC 50/60 Hz	1,0 W
0,8	0,31 l/min	12 V DC	2,6 W
		24 V DC	3,0 W
			1,33 VA (only AC)



Male connector

strand color **RED** Pin 1
strand color **BLUE**

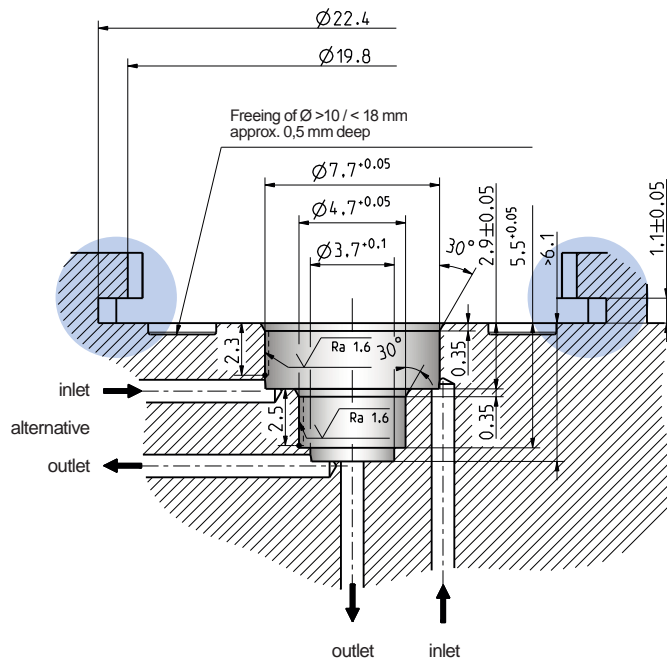
Special cables or strands without connector (IP00) on request.



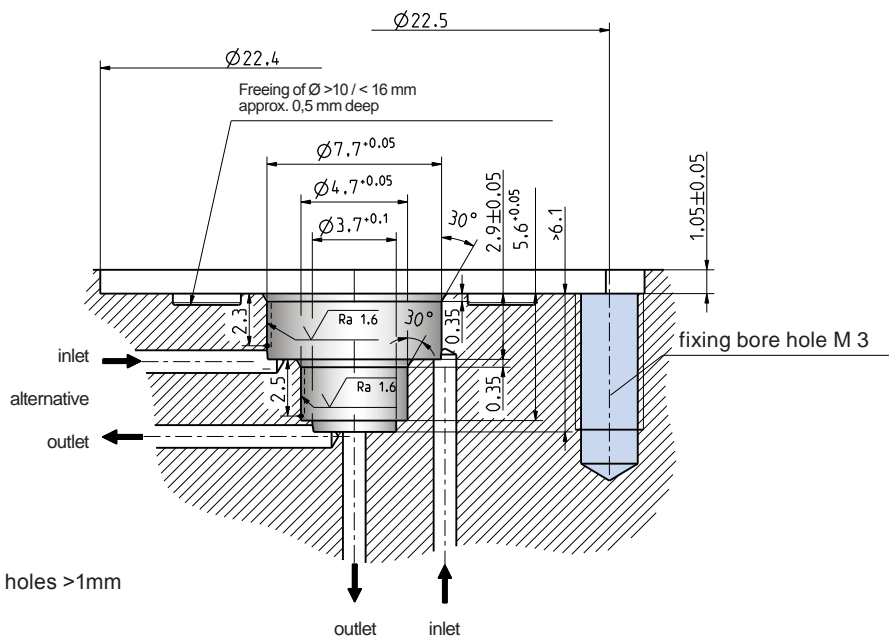
Series 19.00x.287

Plug in contours

Bayonet fixing



Screwed fixing



Ø of in- and outlet bore holes >1mm



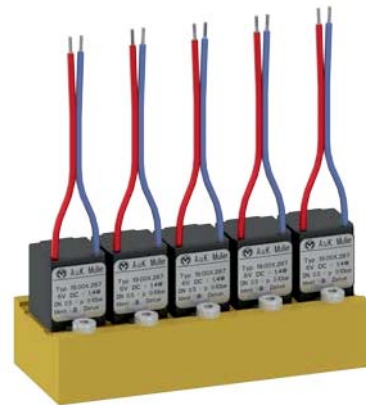
Series 19.00x.287

Application examples

Adapter body



Valve manifold



Installation example



Adapter body or manifold on request.