

Product Information

Servo-controlled solenoid valve NO, DN 10



A.u.K. Müller

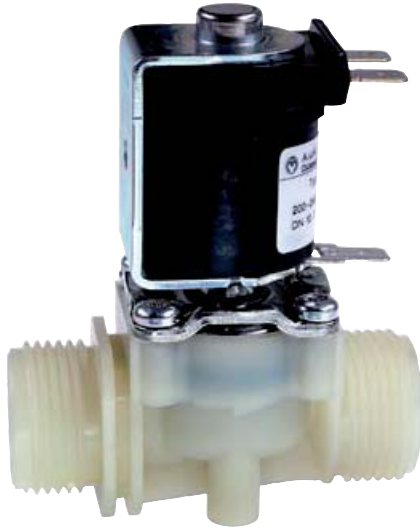
Solenoid valves
Control valves
Special valves and systems

A. u. K. Müller GmbH & Co. KG
Dresdener Str. 162
D-40595 Düsseldorf/Germany

Tel.: +49(0)211-7391-0
Fax: +49(0)211-7391-281

e-mail: info@akmueller.de
Internet: www.akmueller.de

Series 36.010.126



Characteristics

- servo-controlled
- normally open (NO)
- solenoid replaceable while medium circuit remains untouched, solenoid rotatable 4x90°
- medium temperature up to 90 °C
- similar hydraulic performance for AC and DC types
- optimized water hammer characteristic by low noise emission according to EN 60730
- long term performance capability
- high operating safety by the use of high quality materials and 100% final testing of the products

Applications

- steam appliances
- dental appliances
- hot / cold drink dispensers
- industrial appliances
- air conditioning
- agricultural implements
- pollution equipment
- temperature equalisers
- dish washers
- ice machines
- washing machines
- water treatment

Description

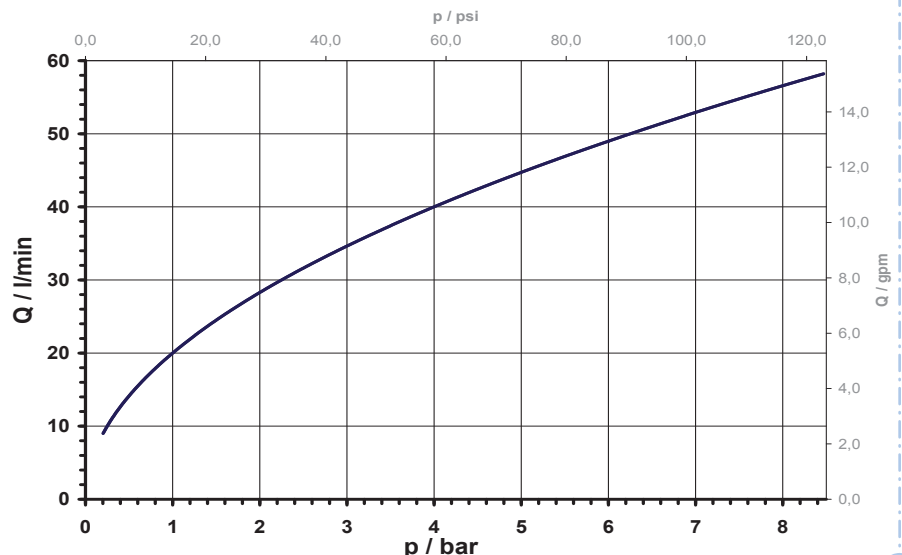
2/2-way solenoid valve of nominal diameter DN 10 for use with cold and heated potable water and physically and chemically similar media. The valve is servo-controlled and normally open (NO).

Valves of this design are single chamber straight valves and can be manufactured with various connections. Coil systems for common voltage and frequency ranges are available.

Electrical operating safety is achieved by insulation class F and can be supported by an integrated protective circuit.

By using high quality insulation materials, continuous duty (100 % ED) at higher medium temperatures is possible. The glass fibre reinforced polyamide valve body persists hot water. Protection against corrosion of inner parts exposed to the medium is achieved by using stainless steel.

typical performance curve



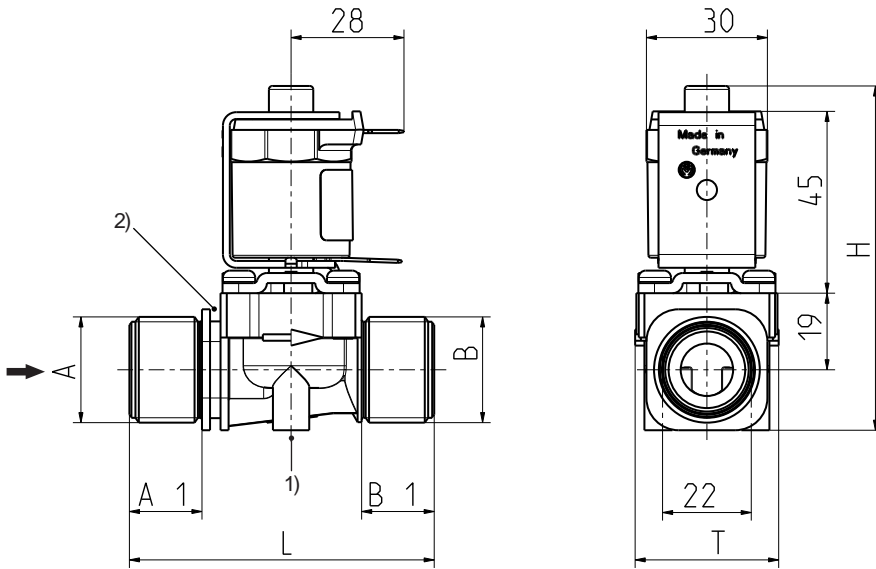
Product Information

Servo-controlled solenoid valve NO, DN 10



A.u.K. Müller

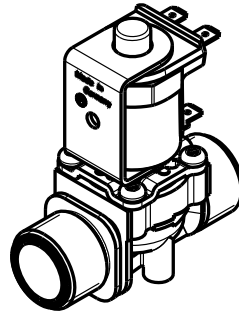
Series 36.010.126



- 1) Fixing possibility for self tapping screw \varnothing 4,2
2) Fixing groove

Materials

Valve body	PA 66 glass fibre reinforced PPE on request PEI on request (T-medium max. 30 °C)
Plunger guide	stainless steel
Plunger and spring	stainless steel
Membrane and sealings	EPDM NBR (on request) VMQ (on request)
Coil coating	PBT,PET or epoxy resin
Filter	stainless steel (in inlet) POM on request



Technical Data

Type	solenoid valve	
Construction	2/2-way single chamber straight valve, servo-controlled	
Function	NO (normally open)	
Fitting position	any, preferably with coil upwardly	
Media	cold and heated potable water and physically and chemically similar media	
T-Medium	90	°C max.
T-Ambient	70 (60	°C max. °C max. USA and coils MS.024, MS.025)
DN	10	mm
p-Operating	0,2 - 8,5	bar
Cv-value	20	l/min
Flow regulator	on request	
Pressure surge	according to EN 60730	
Coil type	MS.006, MS.024, MS.025	
Nominal voltages	220 - 240 110 110 - 127 24 12 24 12	V AC 50-60 Hz V AC 50 Hz V AC 60 Hz V AC 50/60 Hz V AC 50/60 Hz V DC V DC
	other voltages on request	
Voltage tolerance	+10% -15%	
Duty cycle	100%	
Nominal power	8,5 W	13 VA (AC only)
Protection Type	IP 00 to IP 68	
Coil connections	flat tabs 6,3 x 0,8 mm plug socket according to EN 175301-803 (IP65), several cable connections (IP67, IP68)	
Insulation class	F	according to EN 60730
Protection class	I	according to EN 60730 (for incorporation in class I)

Options



MS.006
(IP00)



MS.024
(IP65)



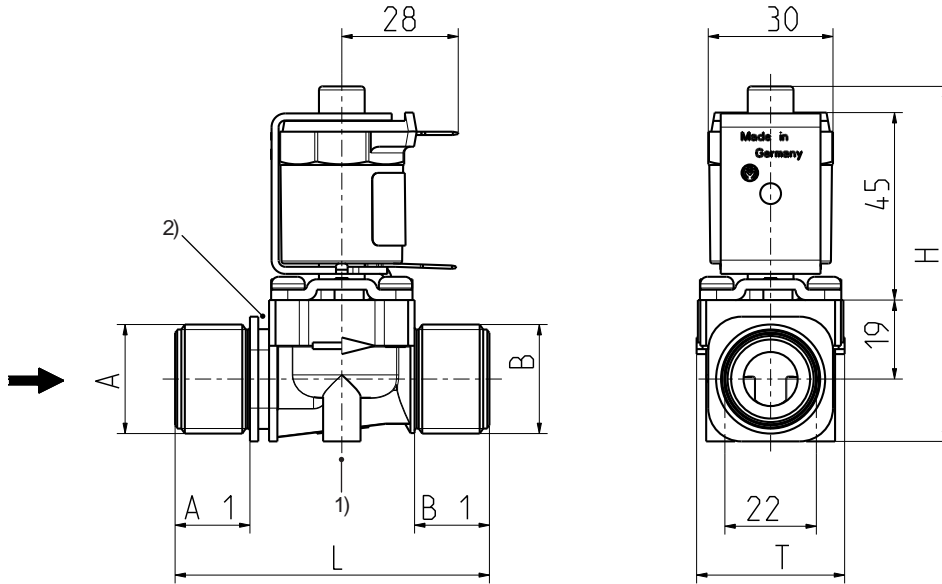
MS.025
(IP67,
IP68)



see next page



Series 36.010.126



- 1) Fixing possibility for self tapping screw $\varnothing 4,2$
- 2) Fixing groove

Options

Material	Inlet		Outlet		Length L	Height H	Depth T
	$\varnothing A$	A1	$\varnothing B$	B1			
PA 66	G 3/4	18,0	G 3/4	18,0	76,0	86,0	36,0
PA 66	G 1/2	15,0	G 1/2	15,0	70,0	86,0	36,0
PA 66	G 3/8	13,0	G 3/8	13,0	66,0	86,0	36,0
PA 66	G 3/4	18,0	G 1/2	15,0	73,0	86,0	36,0
PA 66	G 3/4	18,0	G 3/8	13,0	71,0	86,0	36,0
PA 66	G 1/2	15,0	G 3/4	18,0	73,0	86,0	36,0
PA 66	G 1/2	15,0	G 3/8	13,0	68,0	86,0	36,0
PA 66	G 3/8	13,0	G 3/4	18,0	71,0	86,0	36,0
PA 66	G 3/8	13,0	G 1/2	15,0	68,0	86,0	36,0
PA 66	G 3/4 (no fixing clip possible)	10,0	G 3/4	10,0	55,0	86,0	36,0
PPE beige	G 1/4 x 10 female	13,0 nozzle	G 1/4 x 10 female	13,0 nozzle	66,0	86,0	36,0
PPE	G 3/8	13,0	G 3/8	13,0	66,0	86,0	36,0
PA 66	G 3/4	18,0	G 3/4	10,0	68,0	86,0	36,0
PA 66	G 3/8	13,0	12,0 nozzle	15,5	70,0	86,0	36,0
PPE grey	12,0 nozzle	17,0	12,0 nozzle	17,0	74,0	86,0	36,0
PA 66	G 3/4	14,5	G 3/4	14,5	69,0	86,0	36,0
PA 66	G 3/4	18,0	G 1/2	13,5	77,0	86,0	36,0
PA 66	G 3/4	18,0	G 3/4 clamping nut	16,0	74,0	86,0	36,0
PA 66	G 3/4 clamping nut	16,0	G 3/4	18,0	74,0	86,0	36,0
PA 66	G 3/8	13,0	G 3/4 clamping nut	16,0	70,0	86,0	36,0
PA 66	G 3/4	18,0	12,0 nozzle	15,5	75,0	86,0	36,0
PA 66	G 3/4	18,0	15,0 JG	30,0	90,0	86,0	36,0
PA 66	15,0 JG	30,0	G 3/4	18,0	88,0	86,0	36,0
PPE black	G 1/2	15,0	G 1/2	15,0	70,0	86,0	36,0
PPE black	G 3/4	18,0	G 3/4	18,0	76,0	86,0	36,0



A.u.K. Müller