

# Product Information

## Servo-controlled solenoid valve NC, DN 17



### A.u.K. Müller

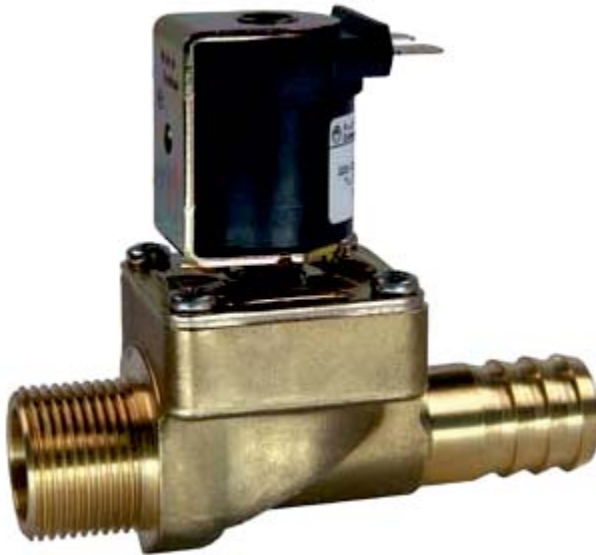
Solenoid valves  
Control valves  
Special valves and systems

A.u.K. Müller GmbH & Co. KG  
Dresdener Str. 162  
D-40595 Düsseldorf/Germany

Tel.: +49(0)211-7391-0  
Fax: +49(0)211-7391-281

e-mail: [info@akmueller.de](mailto:info@akmueller.de)  
<http://www.akmueller.de>

Series 01.017.524



### Characteristics

- servo-controlled
- normally closed (NC)
- solenoid replaceable while medium circuitry remains untouched
- suitable for hot water up to 90 °C
- similar performance for alternating- or direct current
- long term performance capability
- optimized water hammer characteristic by low noise emission according to EN 60730
- high operating safety by the use of high quality materials and 100% final testing of the products

### Applications

- steam appliances
- dental appliances
- hot / cold drink dispensers
- industrial appliances
- air conditioning
- agricultural implements
- pollution equipment
- temperature equalisers
- dish washers
- ice machines
- washing machines
- water treatment

### Description

2/2-way solenoid valve of nominal diameter DN 17 for use with cold and heated potable water and physically and chemically similar media. The valve is servo-controlled and normally closed (NC).

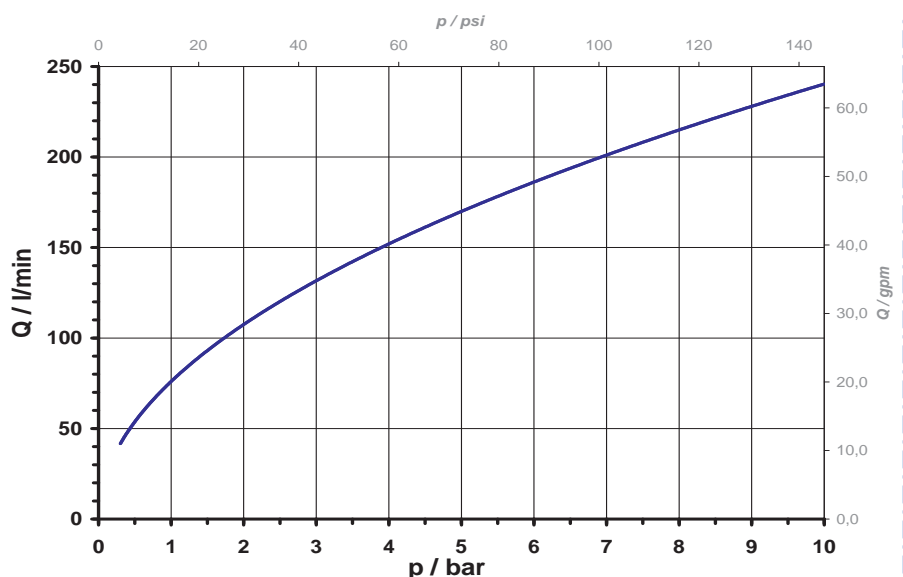
Valves of this design are single chamber straight valves with thread at in- and nozzle at outlet.

Coil systems for common voltage and frequency ranges are available.

Electrical operating safety is achieved by insulation class F and can be supported by an integrated protective circuit.

By using high quality insulation materials, continuous duty (100 % ED) at higher medium temperatures is possible. Protection against corrosion of inner parts exposed to the medium is achieved by using stainless steel.

typical performance curve



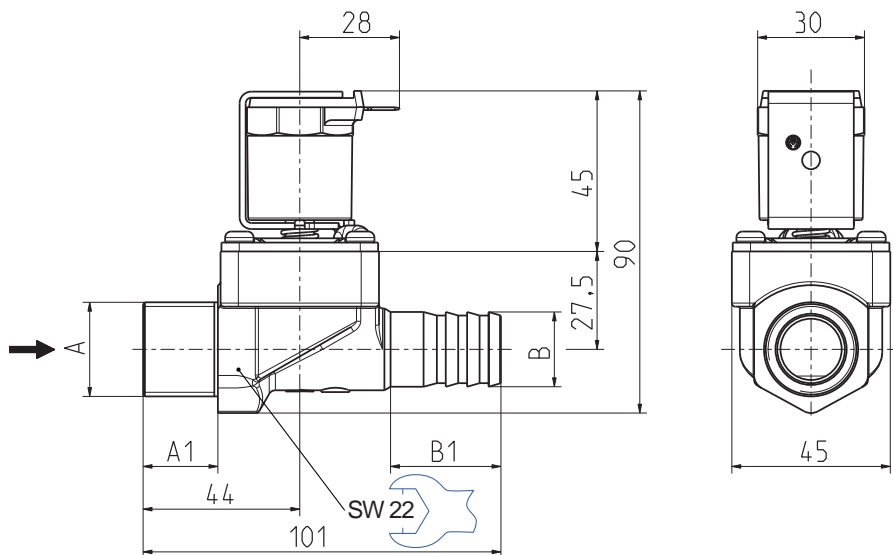
# Product Information

## Servo-controlled solenoid valve NC, DN 17



A.u.K. Müller

### Series 01.017.524

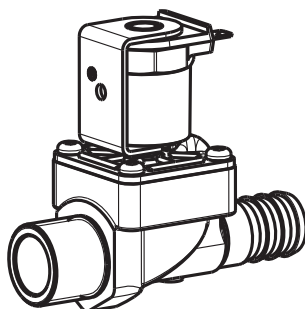


### Technical Data

<b>Type</b>	solenoid valve	
<b>Construction</b>	2/2-way single chamber straight valve, servo-controlled	
<b>Function</b>	NC (normally closed)	
<b>Fitting position</b>	any, preferably with coil upwardly	
<b>Media</b>	cold and heated potable water and physically and chemically similar media	
<b>T-Medium</b>	90	°C max.
<b>T-Ambient</b>	70 (60	°C max. °C max. USA and coils MS.024, MS.025)
<b>DN</b>	17	mm
<b>p-Operating</b>	0,3 - 10	bar
<b>Cv-value</b>	76	l/min
<b>Flow regulator</b>	on request	
<b>Pressure surge</b>	according to EN 60730	
<b>Coil type</b>	MS.006, MS.024, MS.025	
<b>Nominal voltages</b>	220 - 240 110 110 - 127 24 12 24 12	V AC 50-60 Hz V AC 50 Hz V AC 60 Hz V AC 50/60 Hz V AC 50/60 Hz V DC V DC
	other voltages on request	
<b>Voltage tolerance</b>	+10% -15%	
<b>Duty cycle</b>	100%	
<b>Nominal power</b>	8,5 W	13 VA (AC only)
<b>Protection Type</b>	IP 00 up to IP 68	
<b>Coil connections</b>	flat tabs 6,3 x 0,8 mm plug socket according to EN 175301-803 (IP65), several cable connections (IP67, IP68)	
<b>Insulation class</b>	F	according to EN 60730
<b>Protection class</b>	I	according to EN 60730 (for incorporation in class I)

### Materials

<b>Valve body</b>	brass CW617N
<b>Plunger guide</b>	stainless steel
<b>Plunger and spring</b>	stainless steel
<b>Membrane and sealings</b>	EPDM NBR (on request)
<b>Coil coating</b>	PBT,PET or epoxy resin
<b>Filter</b>	stainless steel (in inlet)



### Options

Material	Inlet		Outlet		Length	Height	Depth
	Ø A	A1	Ø B	B1			
brass	G 3/4	20,0	21,0 nozzle	31,0	101,0	90,0	45,0

