

## Solenoid valve NC, DN 7 two chambers in line



### A.u.K. Müller

Solenoid valves  
Control valves  
Special valves and systems

A.u.K. Müller GmbH & Co. KG  
Dresdener Str. 162  
D-40595 Düsseldorf/Germany

Tel.: +49 211 7391-0  
Fax: +49 211 7391-281

e-mail: [info@akmueller.de](mailto:info@akmueller.de)  
Internet: [www.akmueller.de](http://www.akmueller.de)

series 29.007.215



### Characteristics

- servo-controlled
- normally closed (NC)
- long term performance capability
- suitable for hot water up to 90 °C
- easy to assemble and service
- solenoid replaceable while medium circuit remains untouched, solenoid rotatable 4 x 90°
- any fitting position
- high operating safety through the use of high quality materials and 100% final testing of the products

### Applications

- dental appliances
- irrigation systems
- industrial appliances
- air conditioning
- pollution equipment
- dish washers
- washing machines
- water treatments

### Description

2/2-way solenoid valve of nominal diameter DN 7 for use with cold and heated potable water and physically and chemically similar media. The valve is servo-controlled and normally closed (NC).

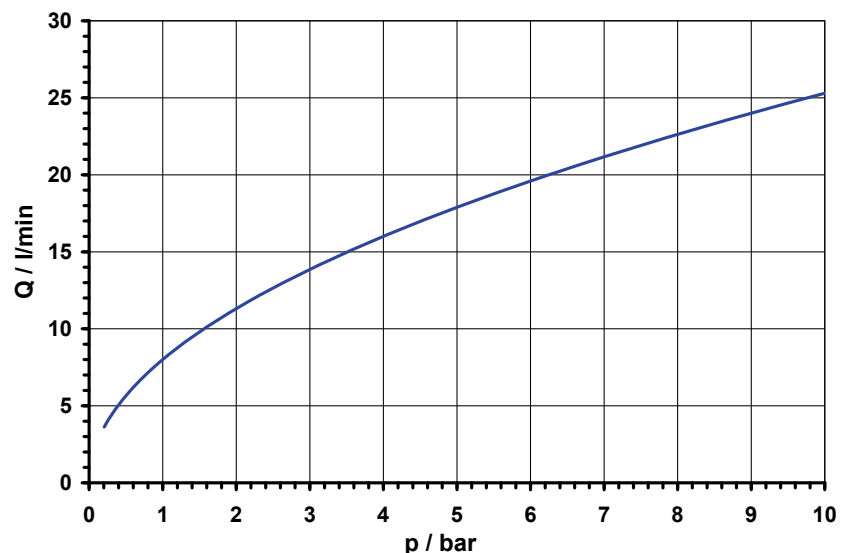
Valves of this design are 2-chamber valves with the inlet ninety degrees to the outlet. The two chambers operate simultaneously to increase functional reliability. The function is similar to the assembly of two single valves in line. These valves can be manufactured with various connections.

Coil systems for common voltage and frequency ranges are available.

Electrical operating safety is achieved by insulation class F and can be supported by integrated protective circuits.

By using high quality insulation materials, continuous duty (100 % ED) at higher medium temperatures is possible. The glass fibre reinforced polyamide valve body persists hot water. Protection against corrosion of inner parts exposed to the medium is achieved by using stainless steel.

typical performance curve

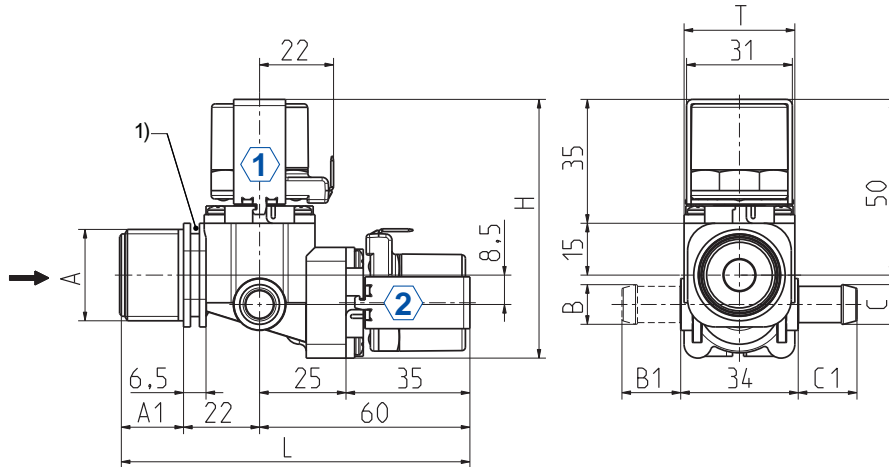


## Solenoid valve NC, DN 7 two chambers in line



A.u.K. Müller

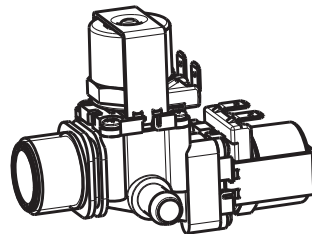
### Series 29.007.215



1) Fixing groove  
①, ② valve chamber

### Materials

Valve body	PA 66 glass fibre reinforced
Plunger guide	stainless steel
Plunger and spring	stainless steel
Membrane and sealings	EPDM NBR (on request) VMQ (on request)
Coil coating	PBT, PET or epoxy resin
Filter	POM (in inlet) stainless steel on request



### Technical Data

Type	solenoid valve	
Construction	2/2-way valve inlet ninety degree to outlet with two chambers in line, servo-controlled	
Function	NC (normally closed)	
Fitting position	any	
Media	cold and heated potable water and physically and chemically similar media	
T-Medium	90	°C max.
T-Ambient	70 (60)	°C max. °C max. USA and coils MS.028)
DN	7	mm
p-Operating	0,2 - 10	bar
Cv-value	8	l/min
Flow regulator	on request	
Pressure surge	according to EN 60730	
Coil type	MS.026, MS.028	
Nominal voltages	220 - 240	V AC 50-60 Hz
	110	V AC 50 Hz
	110 - 127	V AC 60 Hz
	24	V AC 50/60 Hz
	12	V AC 50/60 Hz
	24 12	V DC
	other voltages on request	
Voltage tolerance	+10% -15%	
Duty cycle	100%	
Nominal power	6,5 W	7,5 VA (AC only)
Protection Type	IP 00 up to IP 68	
Coil connections	flat tabs 6,3 x 0,8 mm several cable connections (IP67, IP68)	
Insulation class	F	according to EN 60730
Protection class	I	according to EN 60730 (for incorporation in class I)

### Options

Material	Inlet	Outlet	Length	Height	Depth		
	Ø A	A1	Ø B / C	B1 / C1	L	H	T
PA 66	G 3/8	13,0	G 3/8	13,0	95,0	74,0	32,0
PA 66	G 3/4	18,0	11,5 nozzle	17,0	100,0	74,0	32,0
PA 66	G 1/2	15,0	11,5 nozzle	17,0	97,0	74,0	32,0
PA 66	G 3/4	18,0	G 3/8	13,0	100,0	74,0	32,0
PA 66	G 1/2	15,0	G 3/8	13,0	97,0	74,0	32,0
PA 66	G 3/8	13,0	11,5 nozzle	17,0	95,0	74,0	32,0

