

Product Information

Servo-controlled solenoid valve NC, DN 17



A. u. K. Müller

Solenoid valves
Control valves
Special valves and systems

A. u. K. Müller GmbH & Co. KG
Dresdener Str. 162
D-40595 Düsseldorf/Germany

Tel.: +49(0)211-7391-0
Fax: +49(0)211-7391-281

e-mail: info@akmueller.de
Internet: www.akmueller.de

Series I.017.I15



Characteristics

- Servo-controlled
- Normally closed (NC)
- Solenoid replaceable while medium circuit remains untouched, solenoid rotatable 4 x 90°
- Suitable for hot water up to 90 °C
- Similar performance for alternating or direct current
- Long term performance capability
- Optimized water hammer characteristic by low noise emission according to EN 60730
- High operating safety by the use of high quality materials and 100 % final testing of the products

Applications

- Steam appliances
- Dental appliances
- Hot / cold drink dispensers
- Industrial appliances
- Air conditioning
- Agricultural implements
- Cleaning systems
- Temperature equalisers
- Dish washers
- Ice machines
- Washing machines
- Water treatment

Description

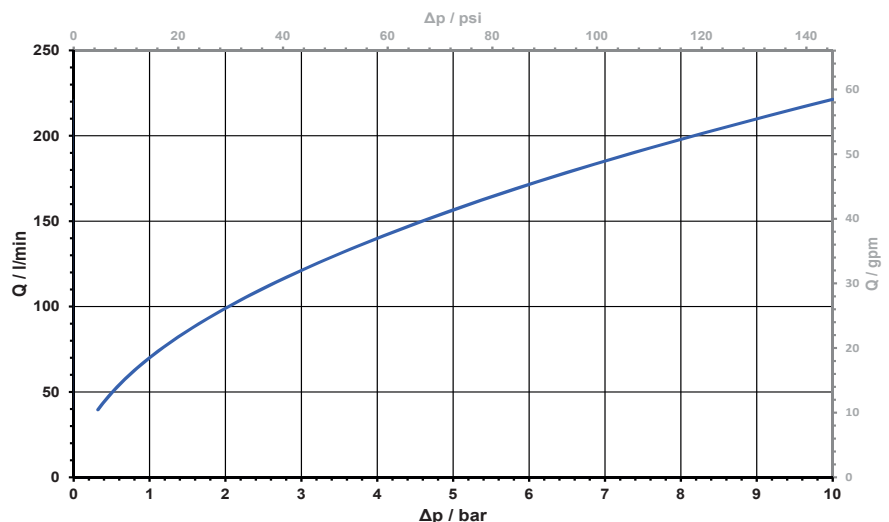
2/2-way solenoid valve of nominal diameter DN 17 for use with cold and heated potable water and physically and chemically similar media. The valve is servo-controlled and normally closed (NC).

Valves of this design are single chamber valves with the inlet ninety degrees to the outlet and can be manufactured with various connections. Coil systems for common voltage and frequency ranges are available.

Electrical operating safety is achieved by insulation class F and can be supported by an integrated protective circuit.

By using high quality insulation materials, continuous operation (100% duty cycle) at higher medium temperatures is possible. The glass fibre reinforced polyamide valve body persists hot water. Protection against corrosion of inner parts exposed to the medium is achieved by using stainless steel.

typical performance curve



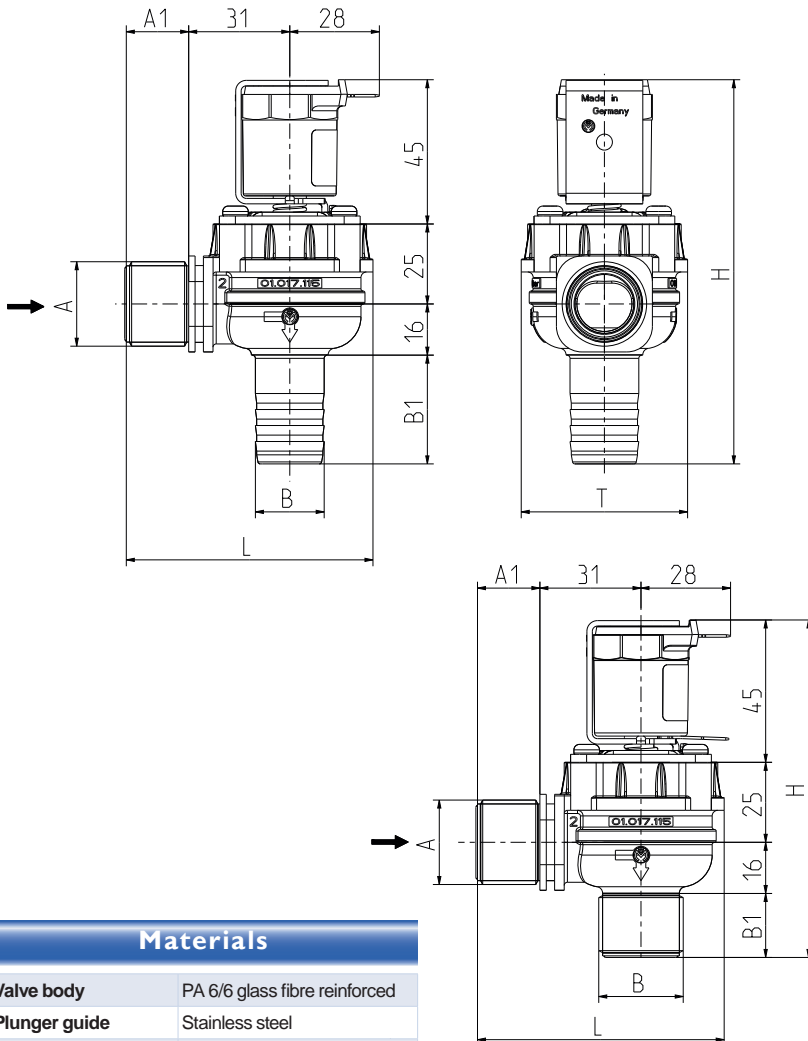
Product Information

Servo-controlled solenoid valve NC, DN 17



A. u. K. Müller

Series I.017.I15



Materials

Valve body	PA 6/6 glass fibre reinforced
Plunger guide	Stainless steel
Plunger and spring	Stainless steel
Membrane and sealings	EPDM
Coil coating	PBT,PET or epoxy resin
Filter (inlet)	Stainless steel POM (on request)



In order to ensure the durability at maximum parameters according to the requirements of EN 60730-2-8, the flow is to be limited externally to 81 l / min (21.4 gpm).

Options

Material	Inlet		Outlet		Length L	Height H	Depth T
	Ø A	A1	Ø B	B1			
PA 6/6	G 3/4	20,0	G 3/4	20,0	77,0	106,0	52,0
PA 6/6	G 3/4	20,0	21,5 nozzle	34,0	77,0	120,0	52,0



Technical Data

Type	solenoid valve	
Construction	2/2-way single chamber valve, inlet ninety degree to outlet, servo-controlled	
Function	NC (normally closed)	
Fitting position	any, preferably with coil upwardly	
Media	cold and heated potable water and physically and chemically similar media	
T-Medium	90 (194)	°C max. (° F max.)
T-Ambient	70 (158) (60 (140))	°C max. (° F max.) (°C max. (° F max.) USA and coils MS.024, MS.025)
DN	17	mm
p-Operating	0,3 - 10	bar
Cv-value	70 (18.5)	l/min @ 1 bar (gpm @ 1 bar)
Flow regulator	on request	
Pressure surge	according to EN 60730	
Coil type	MS.006, MS.024, MS.025	
Nominal voltages	220 - 240	V AC 50-60 Hz
	110	V AC 50 Hz
	110 - 127	V AC 60 Hz
	24	V AC 50/60 Hz
	12	V AC 50/60 Hz
	12	V DC
	other voltages on request	
Voltage tolerance	+10% -15%	
Duty cycle	100%	
Nominal power	8,5 W	13 VA (AC only)
Protection Type	IP 00 up to IP 68 according to EN 60529	
Coil connections	flat tabs 6,3 x 0,8 mm plug socket according to EN 175301-803 (IP65), several cable connections (IP67, IP68)	
Insulation class	F	according to EN 60730
Protection class	I	according to EN 60730 (for incorporation in class I)

