

Product Information

Servo-controlled solenoid valve NC, DN 21



A.u.K. Müller

Solenoid valves
Control valves
Special valves and systems

A.u.K. Müller GmbH & Co. KG
Dresdener Str. 162
D-40595 Düsseldorf/Germany

Tel.: +49(0)211-7391-0
Fax: +49(0)211-7391-281

e-mail: info@akmueller.de
<http://www.akmueller.de>

Series 01.021.521



Characteristics

- servo-controlled
- normally closed (NC)
- solenoid replaceable while medium circuitry remains untouched
- suitable for hot water up to 90 °C
- similar performance for alternating- or direct current
- long term performance capability
- optimized water hammer characteristic by low noise emission according to EN 60730
- high operating safety by the use of high quality materials and 100% final testing of the products

Applications

- steam appliances
- dental appliances
- hot / cold drink dispensers
- industrial appliances
- air conditioning
- agricultural implements
- pollution equipment
- temperature equalisers
- dish washers
- ice machines
- washing machines
- water treatment

Description

2/2-way solenoid valve of nominal diameter DN 21 for use with cold and heated potable water and physically and chemically similar media. The valve is servo-controlled and normally closed (NC).

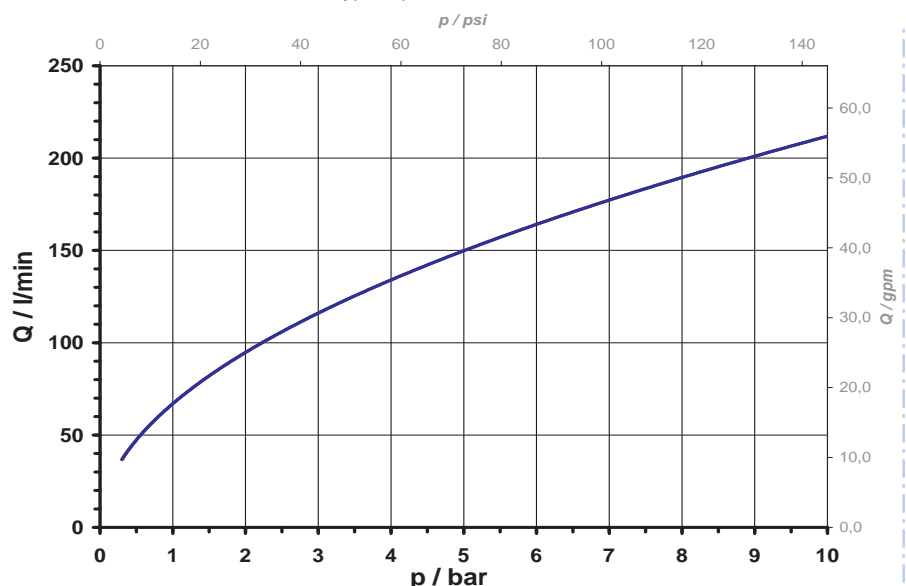
Valves of this design are single chamber straight valves with female thread at in- and outlet in different dimensions.

Coil systems for common voltage and frequency ranges are available.

Electrical operating safety is achieved by insulation class F and can be supported by an integrated protective circuit.

By using high quality insulation materials, continuous duty (100 % ED) at higher medium temperatures is possible. Protection against corrosion of inner parts exposed to the medium is achieved by using stainless steel.

typical performance curve



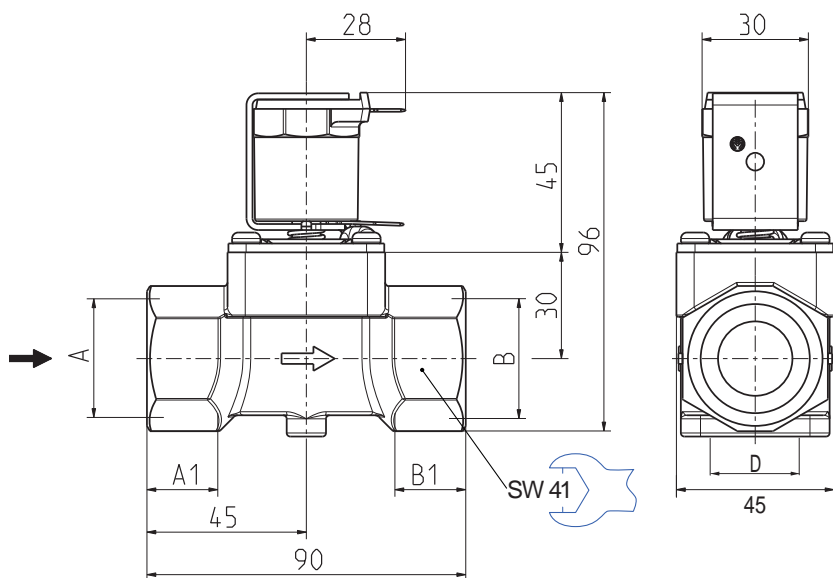
Product Information

Servo-controlled solenoid valve NC, DN 21



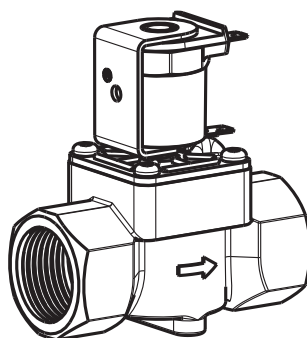
A.u.K. Müller

Series 01.021.521



Materials

Valve body	brass CW617N
Plunger guide	stainless steel
Plunger and spring	stainless steel
Membrane and sealings	EPDM NBR (on request)
Coil coating	PBT,PET or epoxy resin



Technical Data

Type	solenoid valve	
Construction	2/2-way single chamber straight valve, servo-controlled	
Function	NC (normally closed)	
Fitting position	any, preferably with coil upwardly	
Media	cold and heated potable water and physically and chemically similar media	
T-Medium	90	°C max.
T-Ambient	70 (60)	°C max. °C max.USA and coils MS.024, MS.025)
DN	21	mm
p-Operating	0,3 - 10	bar
Cv-value	67	l/min
Pressure surge	according to EN 60730	
Coil type	MS.006, MS.024, MS.025	
Nominal voltages	220 - 240	V AC 50-60 Hz
	110	V AC 50 Hz
	110 - 127	V AC 60 Hz
	24	V AC 50/60 Hz
	12	V AC 50/60 Hz
	24	V DC
	12	V DC
	other voltages on request	
Voltage tolerance	+10% -15%	
Duty cycle	100%	
Nominal power	8,5 W	13 VA (AC only)
Protection Type	IP 00 up to IP 68	
Coil connections	flat tabs 6,3 x 0,8 mm plug socket according to EN 175301-803 (IP65), several cable connections (IP67, IP68)	
Insulation class	F	according to EN 60730
Protection class	I	according to EN 60730 (for incorporation in class I)

Options

Material	Inlet		Outlet		Length	Height	Depth
	Ø A	A1	Ø B	B1			
brass	G 1 female	16,0	G 1 female	16,0	90,0	96,0	45,0
brass	G 3/4 female	16,0	G 3/4 female	16,0	90,0	96,0	45,0
brass	1 NPT female	17,0	1 NPT female	17,0	90,0	96,0	45,0
brass	3/4 NPT female	14,0	3/4 NPT female	14,0	90,0	96,0	45,0

(on request D = 20 mm - 2 x threaded hole M4x6 as fixing alternative)

