

## Solenoid valve NC, DN 10 two chambers in line



### A.u.K. Müller

Solenoid valves  
Control valves  
Special valves and systems

A.u.K. Müller GmbH & Co. KG  
Dresdener Str. 162  
D-40595 Düsseldorf/Germany

Tel.: +49 211 7391-0  
Fax: +49 211 7391-281

e-mail: [info@akmueller.de](mailto:info@akmueller.de)  
Internet: [www.akmueller.de](http://www.akmueller.de)

#### Series 29.010.226



#### Characteristics

- servo-controlled
- normally closed (NC)
- long term performance capability
- suitable for hot water up to 90 °C
- easy to assemble and service
- solenoid replaceable while medium circuit remains untouched, solenoid rotatable 4 x 90°
- any fitting position
- high operating safety through the use of high quality materials and 100% final testing of the products

#### Applications

- dental appliances
- irrigation systems
- industrial appliances
- air conditioning
- pollution equipment
- dish washers
- washing machines
- water treatments

#### Description

2/2-way solenoid valve of nominal diameter DN 10 for use with cold and heated potable water and physically and chemically similar media. The valve is servo-controlled and normally closed (NC).

Valves of this design are two chamber straight valves and can be manufactured with various connections.

Both chambers are operated simultaneously to increase reliability. The function is similar to two single valves assembled in line.

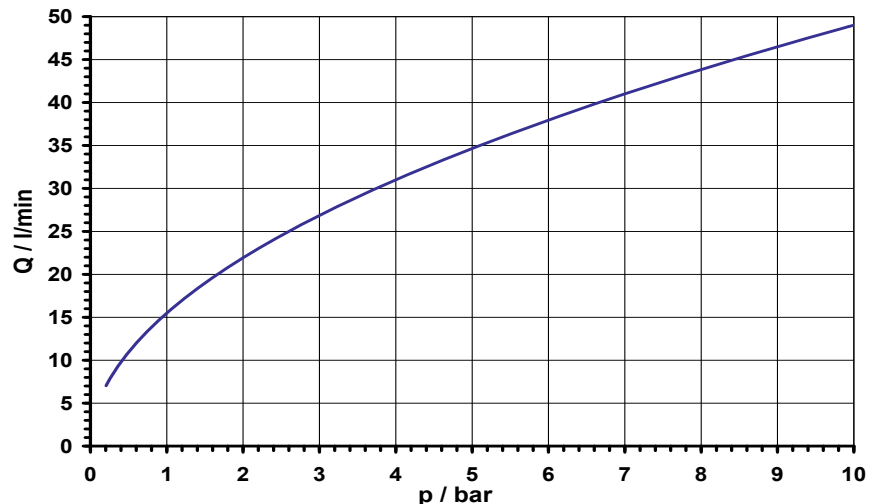
The outgoing chamber can be designed as a direct acting valve on request. The valve will close completely in case of low pressure, because a minimum pressure is not required.

Coil systems for common voltage and frequency ranges are available.

Electrical operating safety is achieved by insulation class F and can be supported by an integrated protective circuit.

By using high quality insulation materials, continuous duty (100 % ED) at higher medium temperatures is possible. The glass fibre reinforced polyamide valve body persists hot water. Protection against corrosion of inner parts exposed to the medium is achieved by using stainless steel.

typical performance curve



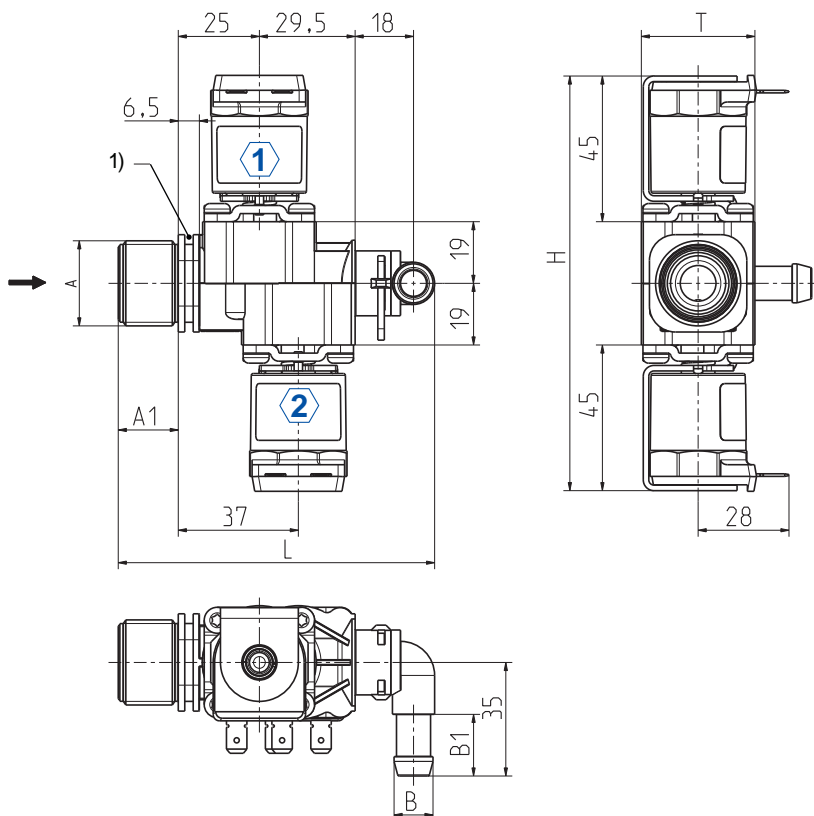
# Solenoid valve NC, DN 10 two chambers in line

# Product Information



**A.u.K. Müller**

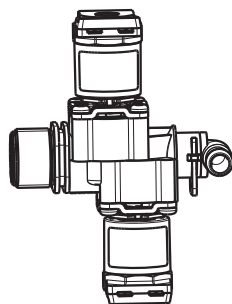
## Series 29.010.226



1) Fixing groove  
①, ② valve chamber

## Materials

|                              |                               |
|------------------------------|-------------------------------|
| <b>Valve body</b>            | PA 66, glass fibre reinforced |
| <b>Plunger guide</b>         | stainless steel               |
| <b>Plunger</b>               | stainless steel               |
| <b>Membrane and sealings</b> | EPDM                          |
| <b>Coil coating</b>          | PBT, PET or epoxy resin       |
| <b>Filter</b>                | POM (in inlet)                |



## Technical Data

|                          |   |   |
|--------------------------|---|---|
| <b>Type</b>              | solenoid valve  |   |
| <b>Construction</b>      | 2/2-way, two chambers in line, servo-controlled   |   |
| <b>Function</b>          | NC (normally closed)  |   |
| <b>Fitting position</b>  | any   |   |
| <b>Media</b>             | cold and heated potable water and physically and chemically similar media                                       |   |
| <b>T-Medium</b>          | 90  | °C max.   |
| <b>T-Ambient</b>         | 70<br>(60   | °C max.<br>°C max. USA and coils MS.024, MS.025)  |
| <b>DN</b>                | 10  | mm  |
| <b>p-Operating</b>       | 0,2 - 10 bar  |   |
| <b>Cv-value</b>          | 15,5 l/min  |   |
| <b>Flow regulator</b>    | on request  |   |
| <b>Pressure surge</b>    | according to EN 60730   |   |
| <b>Coil type</b>         | MS.006, MS.024, MS.025  |   |
| <b>Nominal voltages</b>  | 220 - 240<br>110<br>110 - 127<br>24<br>12<br>24<br>12   | V AC 50-60 Hz<br>V AC 50 Hz<br>V AC 60 Hz<br>V AC 50/60 Hz<br>V AC 50/60 Hz<br>V DC<br>V DC |
|                          | other voltages on request   |   |
| <b>Voltage tolerance</b> | +10% -15%   |   |
| <b>Duty cycle</b>        | 100%  |   |
| <b>Nominal power</b>     | 8,5 W   | 13 VA (AC only)   |
| <b>Protection type</b>   | IP 00 up to IP 68   |   |
| <b>Coil connections</b>  | flat tabs 6,3 x 0,8 mm<br>plug socket according to EN 175301-803 (IP65), several cable connections (IP67, IP68) |   |
| <b>Insulation class</b>  | F   | according to EN 60730   |
| <b>Protection class</b>  | I   | according to EN 60730 (for incorporation in class I)  |

## Options

| Material        | Inlet | Outlet | Length      | Height | Depth |       |      |
|-----------------|-------|--------|-------------|--------|-------|-------|------|
|                 | Ø A   | A1     | Ø B         | B1     | L     | H     | T    |
| <b>elbow</b>    |       |        |             |        |       |       |      |
| PA 66           | G 3/4 | 18,0   | 12,0 nozzle | 19,0   | 97,0  | 128,0 | 35,0 |
| <b>straight</b> |       |        |             |        |       |       |      |
| PA 66           | G 3/8 | 13,0   | G 3/8       | 13,0   | 86,0  | 128,0 | 35,0 |
| PA 66           | G 3/4 | 18,0   | 12,0 nozzle | 17,0   | 93,0  | 128,0 | 35,0 |

