

Product Information

Servo-controlled solenoid valve NC, DN 7



A.u.K. Müller

Solenoid valves
Control valves
Special valves and systems

A. u. K. Müller GmbH & Co. KG
Dresdener Str. 162
D-40595 Düsseldorf/Germany

Tel.: +49(0)211-7391-0
Fax: +49(0)211-7391-281

e-mail: info@akmueller.de
Internet: www.akmueller.de

Series 01.007.III



Characteristics

- servo-controlled
- normally closed (NC)
- solenoid replaceable while medium circuit remains untouched, solenoid rotatable 4x90°
- suitable for hot water up to 90 °C
- similar performance for alternating or direct current
- long term performance capability
- optimized water hammer characteristic by low noise emission according to EN 60730
- high operating safety by the use of high quality materials and 100% final testing of the products

Applications

- steam appliances
- dental appliances
- hot / cold drink dispensers
- industrial appliances
- air conditioning
- agricultural implements
- pollution equipment
- temperature equalisers
- dish washers
- ice machines
- washing machines
- water treatment

Description

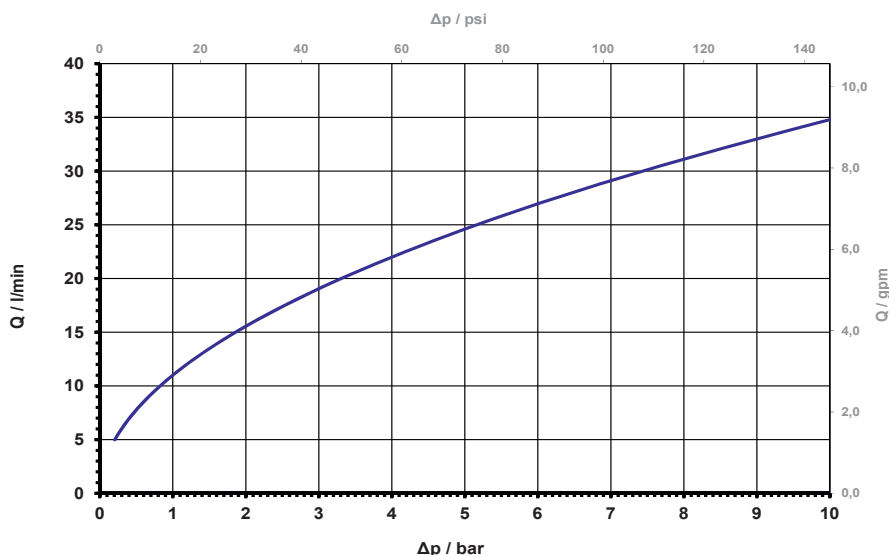
2/2-way solenoid valve of nominal diameter DN 7 for use with cold and heated potable water and physically and chemically similar media. The valve is servo-controlled and normally closed (NC).

Valves of this design are single chamber valves with the inlet ninety degrees to the outlet and can be manufactured with various connections. Coil systems for common voltage and frequency ranges are available.

Electrical operating safety is achieved by insulation class F and can be supported by an integrated protective circuit.

By using high quality insulation materials, continuous duty (100 % ED) at higher medium temperatures is possible. The glass fibre reinforced polyamide valve body persists hot water. Protection against corrosion of inner parts exposed to the medium is achieved by using stainless steel.

typical performance curve



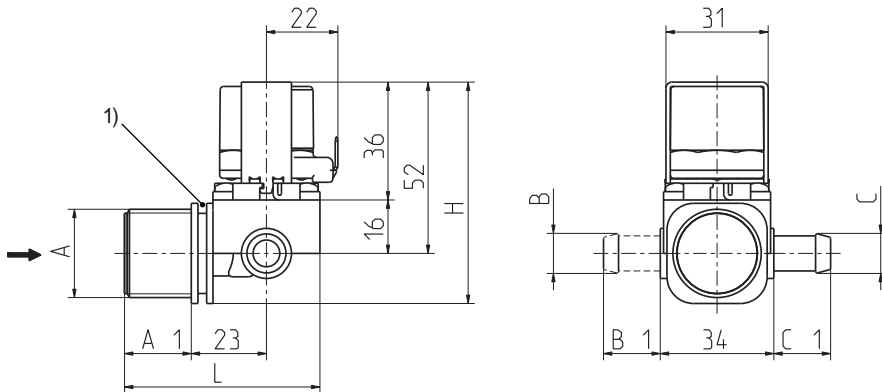
Product Information

Servo-controlled solenoid valve NC, DN 7



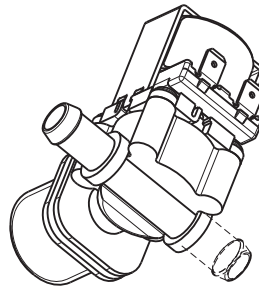
A.u.K. Müller

Series 01.007.III



Materials

Valve body	PA 66 glass fibre reinforced PPE on request PEI on request (T-medium max. 30 °C)
Plunger guide	stainless steel
Plunger and spring	stainless steel
Membrane and sealings	EPDM NBR (on request) VMQ (on request)
Coil coating	PBT,PET or epoxy resin
Filter	POM (in inlet) stainless steel on request



1) Fixing groove

Options

Material	Inlet		Outlet			Length	Height
	Ø A	A1	B / C	Ø	B1 / C1		
PA 66	G 3/4	20,0	C	12,0 Nozzle	C1 17,0	59,0	67,0
PA 66	G 1/2	15,0	C	G 3/8	C1 13,0	54,0	67,0
PA 66	3/8 NPT	13,5	C	1/4 NPT	C1 13,5	52,0	67,0
PA 66	G 3/8	13,0	B	G 3/8	B1 13,0	52,0	67,0
PA 66	G 3/4	20,0	B	12,0 Nozzle	B1 17,0	59,0	67,0
PA 66	3/8 NPT	13,5	B	1/4 NPT	B1 13,5	52,0	67,0
PA 66	1/4 NPT	15,0	C	1/4 NPT	C1 13,5	54,0	67,0
PA 66	1/4 NPT	15,0	B	1/4 NPT	B1 13,5	54,0	67,0
PA 66	G 1/2	15,0	B	12,0 Nozzle	B1 17,0	54,0	67,0

Technical Data

Type	solenoid valve		
Construction	2/2-way single chamber valve inlet ninety degree to outlet, servo-controlled		
Function	NC (normally closed)		
Fitting position	any, preferably with coil upwardly		
Media	cold and heated potable water and physically and chemically similar media		
T-Medium	90	°C max.	
T-Ambient	70 (60	°C max. USA and coils MS.028)	
DN	7	mm	
p-Operating	0,2 - 10	bar	
Cv-value	11	l/min	
Flow regulator	on request		
Pressure surge	according to EN 60730		
Coil type	MS.026, MS.028		
Nominal voltages	220 - 240 110 110 - 127 24 12 24 12	V AC V AC V AC V AC V AC V DC V DC	50-60 Hz 50 Hz 60 Hz 50/60 Hz 50/60 Hz
	other voltages on request		
Voltage tolerance	+10% -15%		
Duty cycle	100%		
Nominal power	6,5 W	7,5 VA (AC only)	
Protection Type	IP 00 up to IP 68		
Coil connections	flat tabs 6,3 x 0,8 mm several cable connections (IP67, IP68)		
Insulation class	F	according to EN 60730	
Protection class	I	according to EN 60730 (for incorporation in class I)	

MS.026
(IP00)



MS.028
(IP68)

