

Product Information

2/2-way lever valve NC



A.u.K. Müller

Solenoid valves
Control valves
Special valves and systems

A. u. K. Müller GmbH & Co. KG
Dresdener Str. 162
D-40595 Düsseldorf/Germany

Tel.: +49(0)211-7391-0
Fax: +49(0)211-7391-281

e-mail: info@akmueller.de
Internet: www.akmueller.de

Series 47.00x.102



Characteristics

- direct acting
- medium separated
- long term performance capability
- works from zero pressure
- easy to assemble and service
- low power consumption
- any fitting position
- minimised dead areas
- high operating safety through the use of high quality and 100% final testing of the products

Applications

- hot / cold drink dispensers
- tank or boiler draining
- medical engineering
- industrial appliances
- laboratory / analysis equipment

Description

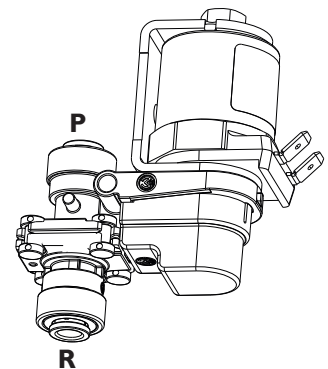
Direct acting 2/2 way solenoid valve with different orifice sizes for control of neutral gases and liquids. The plunger of the magnetic system is protected by spatial separation from the medium.

Valves of this design are single chamber valves with John Guest® push-fit connections. The coil system can be customised for common voltage and frequency ranges on request.

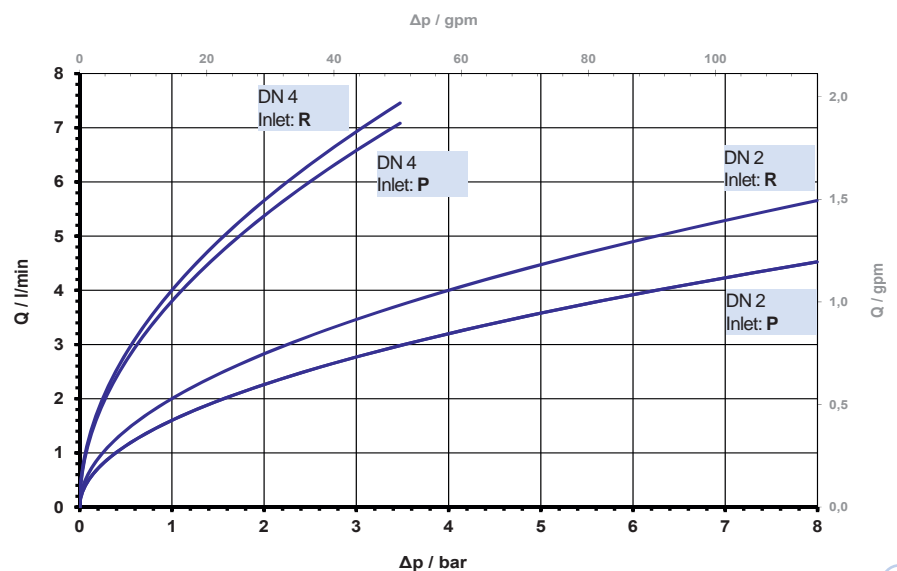
Electrical operating safety is achieved by insulation class F and can be supported by an integrated protective circuit.

Due to the use of high quality materials, the valve is applicable for high ambient and medium temperatures.

Highly suitable for using in laboratory and analysis equipment.



typical performance curve



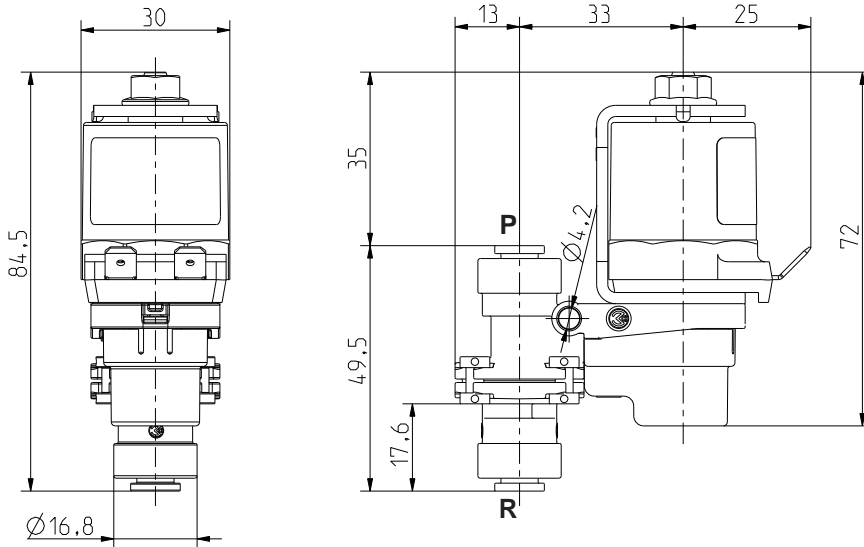
Product Information

2/2-way lever valve NC



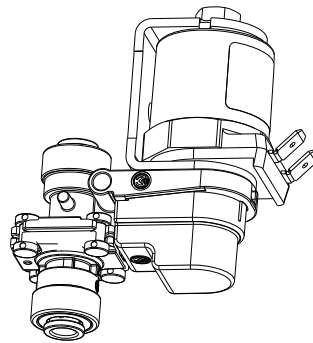
A.u.K. Müller

Series 47.00x.102



Materials

Valve body	PEI other materials on request
Plunger guide	stainless steel
Plunger	stainless steel
Membrane	EPDM VMQ (on request)
Coil coating	PBT or epoxy resin



Technical Data

Type	lever solenoid valve	
Construction	2/2-way valve, direct acting	
Function	NC (normally closed)	
Fitting position	any	
Media	cold and heated potable water and physically and chemically similar media	
T-Medium	65	°C max.
T-Ambient	65	°C max.
DN		
a)	2	mm
b)	4	mm
p-Operating		
a)	0 - 8	bar
b)	0 - 3,5	bar
Coil type	MS.006, MS.024, MS.025	
Nominal voltages	24	V DC
	other voltages on request	
Voltage tolerance	+10% -15%	
Duty cycle	100 %	
Nominal power	8,5	W
Protection type	IP 00 up to IP 68	
Coil connections	flat tabs 6,3 x 0,8 mm plug socket, according to EN 175301-803 (IP65), several cable connections (IP67, IP68)	
Insulation class	F	according to EN 60730
Protection class	I	according to EN 60730 (for incorporation in class I)

Options

DN	Ø 6 mm	Ø 8 mm	Ø 5/16"	Cv-value P	Cv-value R	p-operating
John Guest cartridge						
2	-	Yes	Yes	1,6 l/min	2,0 l/min	0 - 8 bar
4	Yes	Yes	Yes	3,8 l/min	4,0 l/min	0 - 3,5 bar

Tubes are to be installed in a way that enduring mechanical tension on in- and outlet connections remain as low as possible!

MS.006
(IP00)



MS.024
(IP65)



MS.025
(IP67, IP68)

