

2/2 way direct acting solenoid valve combinable, DN 1,5 - 5,0



A.u.K. Müller

Solenoid valves
Control valves
Special valves and systems

A. u. K. Müller GmbH & Co. KG
Dresdener Str. 162
D-40595 Düsseldorf/Germany

Tel.: +49(0)211-7391-0
Fax: +49(0)211-7391-281

e-mail: info@akmueller.de
Internet: www.akmueller.de

series 43.00x.xx6



PEI



PEEK

Characteristics

- direct acting
- 3 dimensional assembly possible
- mechanical connection of different hydraulic resp. pneumatic systems possible
- long term performance capability
- easy to assemble and service
- suitable for food and hot water appliances
- any fitting position
- high operating safety through the use of high quality and 100% final testing of the products
- pre-configured valve combinations on request

Applications

- hot / cold drink dispensers
- medical equipment
- automatic welding equipment
- industrial appliances

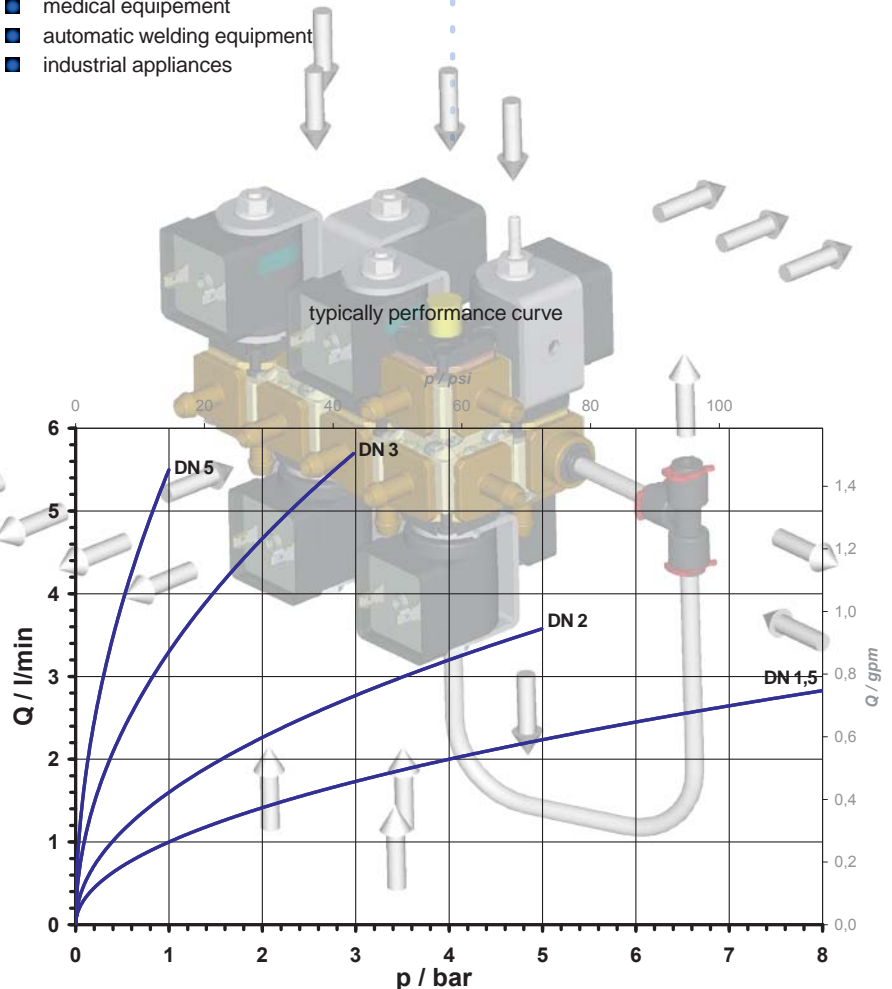
Description

The 2/2 way modular solenoid valves are direct acting in operation and have orifice sizes ranging from 1.5 mm up to 5 mm. 3/2 way versions with a 1.5 mm port through the coil are also available on request.

Due to its compact size, complex multi-valve assemblies with multiple medium channels are possible in applications where space is at a premium.

The two piece valve body consists of a polyamide outer frame and an internal core which handles the medium. This part can be manufactured in high performance, plastics including PEI and PEEK, to enable use with higher temperature media.

A large variety of fittings are available which clip into the valves to form inlets, outlets and multi valve connectors. These include various sizes of hose, threaded, push-fit and blanked options for endless possibilities.



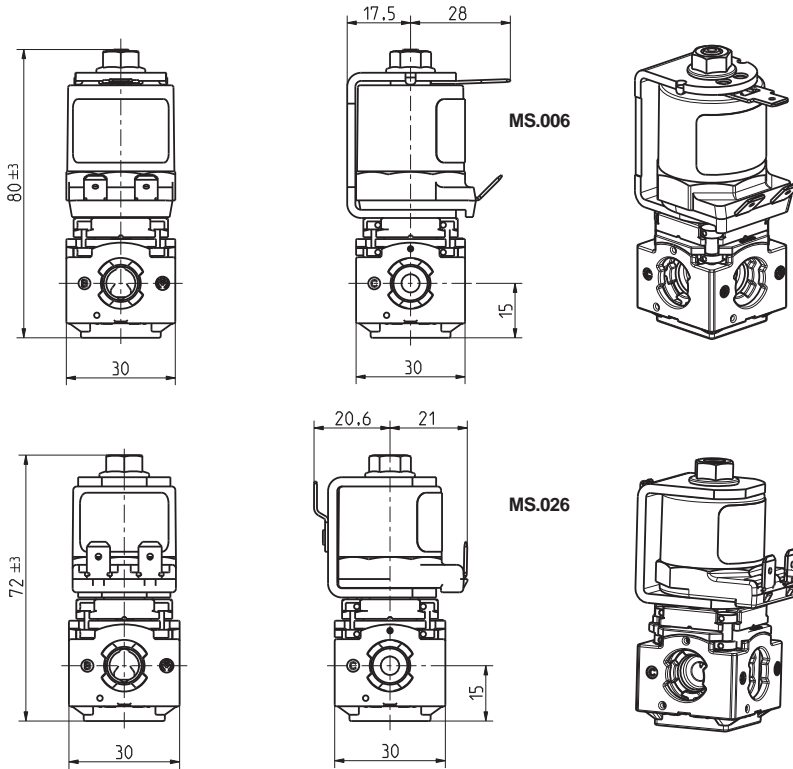
Product

2/2 way direct acting solenoid valve
combinable, DN 1,5 - 5,0



A.u.K. Müller

series 43.00x.x06



Technical Data

Type	modular valve	
Construction	direct acting	
Function	NC (normally closed)	
Fitting position	any	
Media	potable water and physically and chemically similar media	
T-Medium	98	°C max.
T-Ambient	70	°C max.

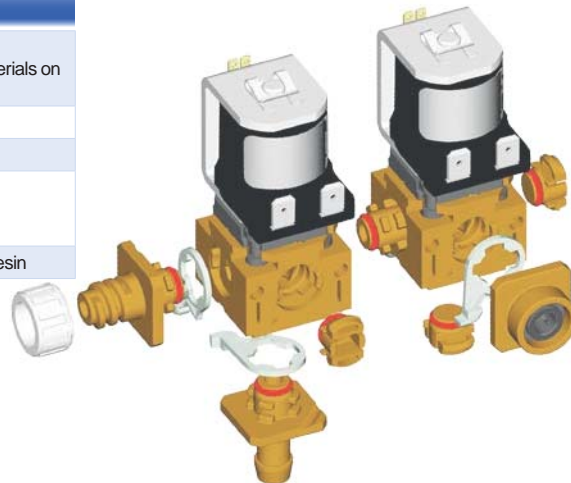
DN	Cv-value	p-Operating
mm	l/min	bar
1,5	1	0 - 8,0
2	1,6	0 - 5,0
3	3,3	0 - 3,0
5	5,5	0 - 1,0

Coil type	MS.006 or MS.026		
Nominal voltage	230	V AC	50/60 Hz
	110	V AC	50/60 Hz
	24	V AC	50/60 Hz
	24	V DC	
	other voltages on request		

Voltage tolerance	+10% -15%		
Duty cycle	100%	MS.006	
	50%	MS.026	
Nominal power	10,2 W	18 VA MS.006	
	10,0 W	15 VA MS.026	
Protection Type	IP 00	higher IP-classes on request	
Coil connections	flat tabs 6,3 x 0,8 mm		
Insulation class	F	according to EN 60730	
Protection class	III	according to EN 60730 (for incorporation in class I)	

Materials

Valve body	PEI PEEK and other materials on request
Plunger guide	stainless steel
Plunger	stainless steel
Membrane and sealings	EPDM
	NBR on request
	FPM on request
Coil coating	PBT, PET or epoxy resin



Connection system patented EP 1 321 698

Options

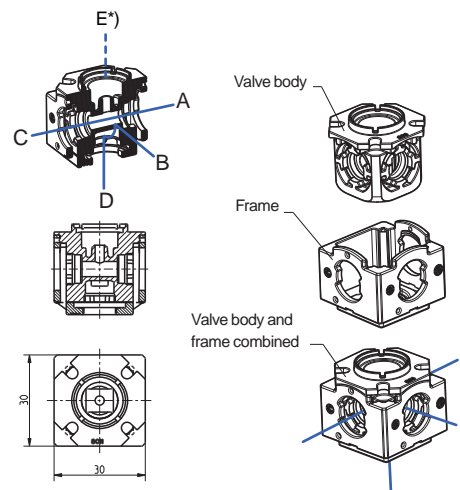
on request
medium separated version
E*) 3/2-way version
valve body: PEEK

Flow paths in normally closed valves:

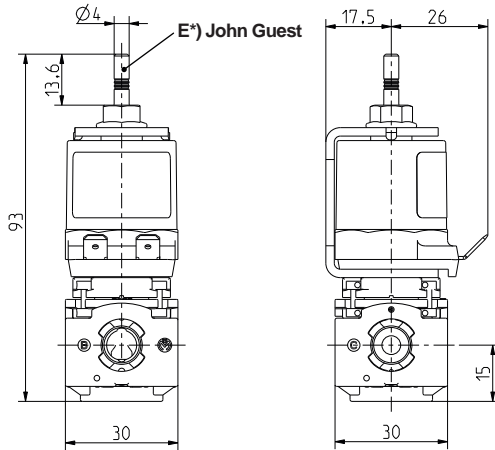
When a 2/2 way valve is closed, the medium paths C-A and B-D are separated by the membrane. The 3/2 way valve has an additional port (E*) which connected to the B-D medium path.

When the valve is opened medium moves freely between C-A and B-D medium paths. In the 3/2 way version, opening the valve closes port (E*)

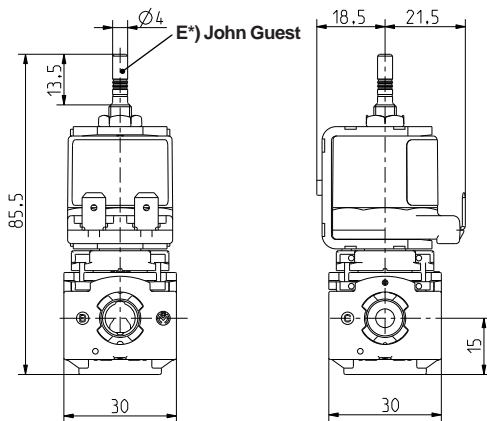
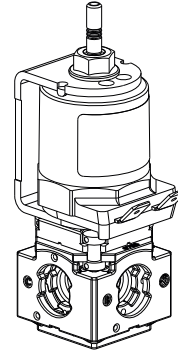
valve closed: C-A ; B-D-E*) separate
valve opened: C-A-B-D



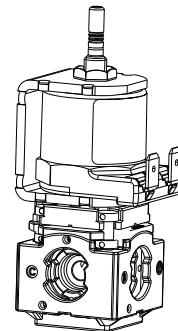
on request
3/2-way version



MS.006



MS.026



Technical Data

Type	modular valve	
Construction	direct acting	
Function	3/2-way	
Fitting position	any	
Media	potable water and physically and chemically similar media	
T-Medium	98	°C max.
T-Ambient	70	°C max.
DN	Cv-value	p-Operating
mm	l/min	bar
1,5	1	0 - 8,0
2	1,6	0 - 5,0
3	3,3	0 - 3,0
5	5,5	0 - 1,0
Coil type	MS.006 or MS.026	
Nominal voltage	24	V DC
	other voltages on request	
Voltage tolerance	+10% -15%	
Duty cycle	100% 50%	MS.006 MS.026
Nominal power	10,2 W 10,0 W	18 VA MS.006 15 VA MS.026
Protection Type	IP 00	higher IP-classes on request
Coil connections	flat tabs 6,3 x 0,8 mm	
Insulation class	F	according to EN 60730
Protection class	III	according to EN 60730 (for incorporation in class I)

Options

E*)
John Guest Ø4
G 1/8, orifice size 2 mm Ø or less on request

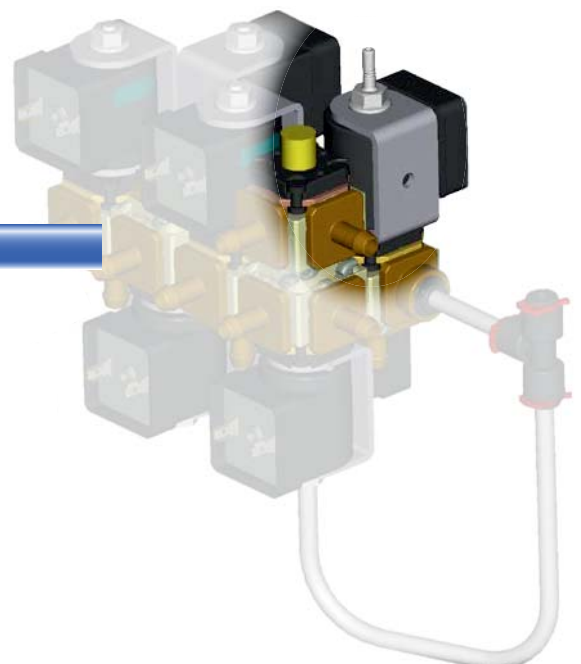



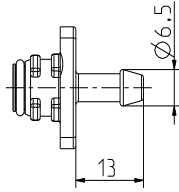

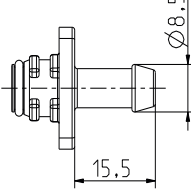

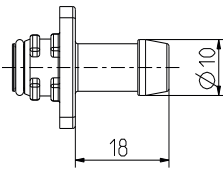

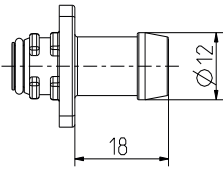

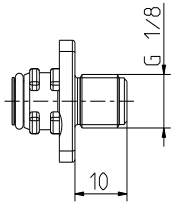

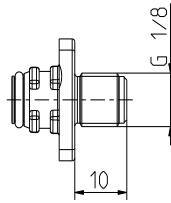

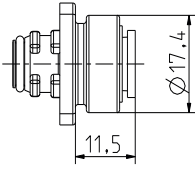

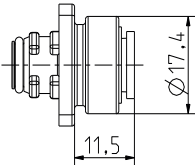
Image	Drawing	Description	part no.
		nozzle connection	007295
		nozzle connection	007294
		nozzle connection	007318
		nozzle connection	007317
		threaded connection open	007282
		threaded connection closed	007283
		adapter connection John Guest for tube Ø 6mm (max. T-medium and T-ambient 65 ° C)	007584
		adapter connection John Guest for tube Ø 8mm (max. T-medium and T-ambient 65 ° C)	007585

Image	Drawing	Description	part no.
		boiler connection open	006812
		boiler connection with double-sided anti-twist flattening on thread	006690
		boiler connection closed	007308
		fixing nut	007307
		coupling open	007289
		coupling closed	007339
		cover plate	009206
		closure	007284
		clamp	006732

