

Product Information

2/2 way direct acting solenoid valve NC DN 3, 4, 5 - media separated, duty cycle 50 %



A. u. K. Müller

Solenoid valves
Control valves
Special valves and systems

A. u. K. Müller GmbH & Co. KG
Dresdener Str. 162
D-40595 Düsseldorf/Germany

Tel.: +49(0)211-7391-0
Fax: +49(0)211-7391-281

e-mail: info@akmueller.de
Internet: www.akmueller.de

Series 43.00x.102



Characteristics

- Direct acting
- Plunger separated by membrane from medium
- Compact design
- Long term performance capability
- Suitable for food and hot water appliances
- Works from zero pressure
- Similar hydraulic performance for AC or DC types
- DC version with low noise and low wear out due to internal plunger attenuation
- Easy to assemble and service
- Coil change without opening of medium circuit, coil can be mounted 4 x 90°
- High operating safety through the use of high quality and 100% final testing of the product

Applications

- Hot / cold drink dispensers
- Medical equipment
- Laboratory equipment
- Water treatment units

Description

2/2-way solenoid valve of different nominal diameters for use with neutral gases and liquids. This valve is direct controlled and normally closed (NC).

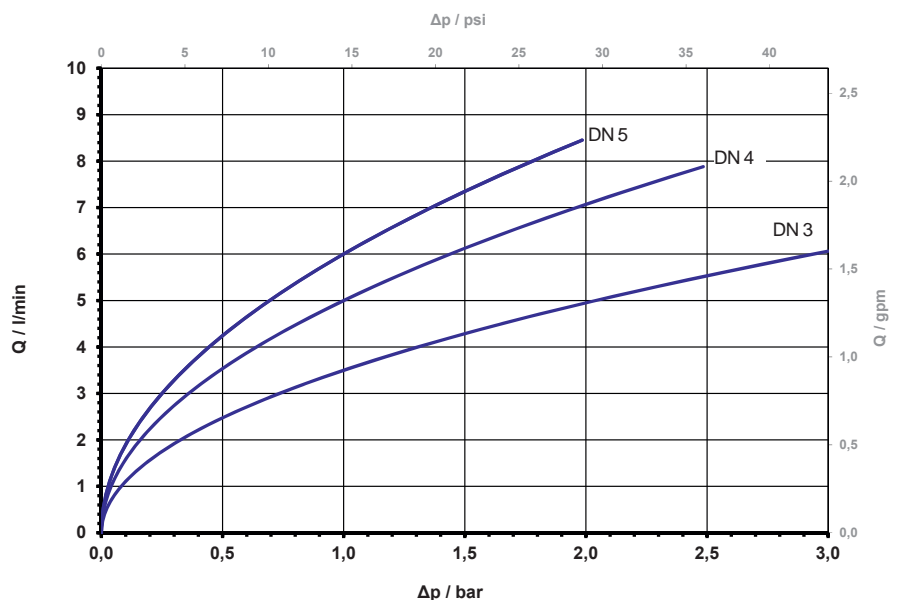
Valves of this design are single chamber straight through valves, with nozzles at outlet and inlet. The plunger is separated by a diaphragm from the medium and protected by its influence.

The use of PEI and PPSU for the valve housing allows the use in hot water. PPSU offers unlike PEI improved chemical and hydrolysis resistance.

This valve is designed for intermittent operation (duty cycle 50%).

Electrical operating safety is achieved by using high quality materials of insulation class F and can be supported by an additional protection circuit.

typical performance curve (fluids)



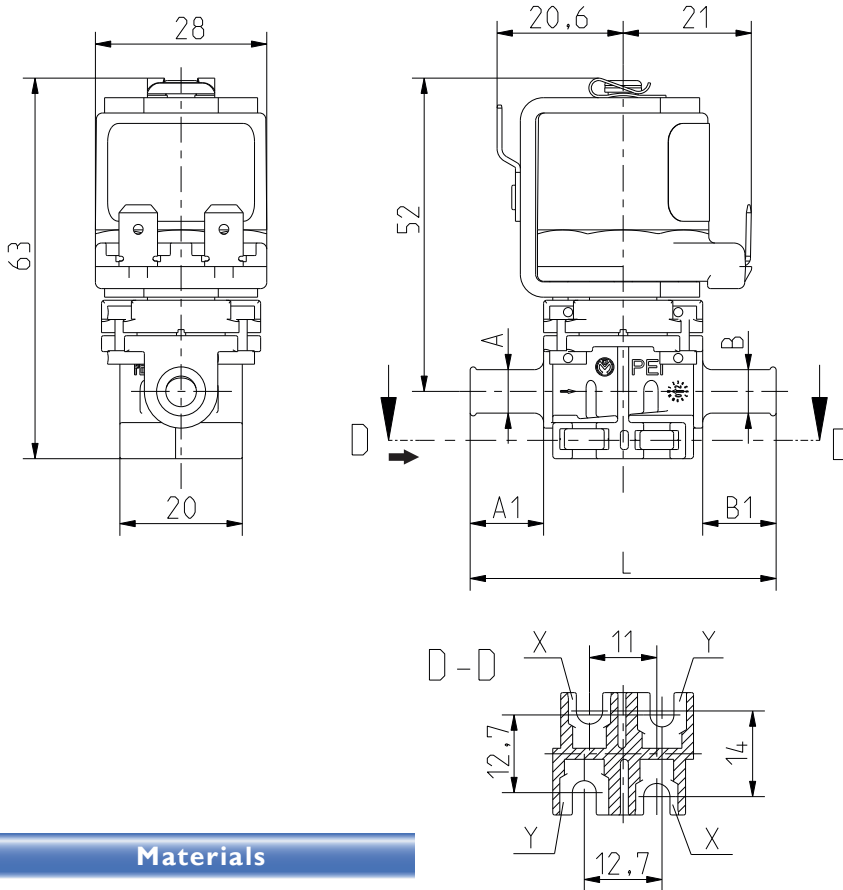
Product Information

2/2 way direct acting solenoid valve NC DN 3, 4, 5 - media separated, duty cycle 50 %



A. u. K. Müller

Series 43.00x.102



slot for nut
X = M4 DIN EN ISO 4032
Y = N 6-32 UNC ANSI B1.1

Materials

Valve body	PEI PPSU
Plunger guide	stainless steel
Plunger	stainless steel
Membrane	EPDM FPM (on request) VMQ (on request)
Coil coating	PBT, PET or epoxy resin

Technical Data

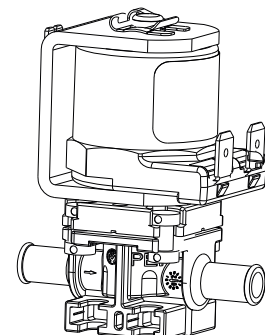
Type	solenoid valve	
Construction	2/2-way single chamber straight valve, direct acting	
Function	NC (normally closed)	
Fitting position	any	
Media	neutral gases, cold and heated potable water and physically and chemically similar media	
T-Medium	98	°C max.
John Guest	65	°C max. on request
T-Ambient	70	°C max.
John Guest	65	°C max. on request

DN	Cv-value	p-Operating	p-Operating
mm	l/min	bar in flow direction	bar against flow direction
3	3,5	0 - 3,0	0 - 2,6
4	5,0	0 - 2,5	0 - 1,8
5	6,0	0 - 2,0	0 - 1,0

Coil type	MS.026		
Nominal voltages	12	V DC	
	24	V DC	
	24	V AC	50/60 Hz
	110	V AC	50/60 Hz
	230	V AC	50/60 Hz
	other voltages on request		
Voltage tolerance	+10% -15%		
Duty cycle	50%		
Nominal power	10 W	15 VA (AC)	
Protection Type	IP 00		
Coil connections	flat tabs 6,3 x 0,8 mm		
Insulation class	F	according to EN 60730	
Protection class	I	according to EN 60730 (for incorporation in class I)	

Options

	Inlet		Outlet		
	Ø	A1	Ø	B1	L
nozzle	7	12	7	12	50

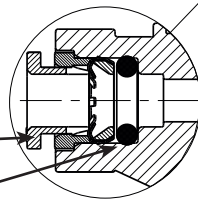
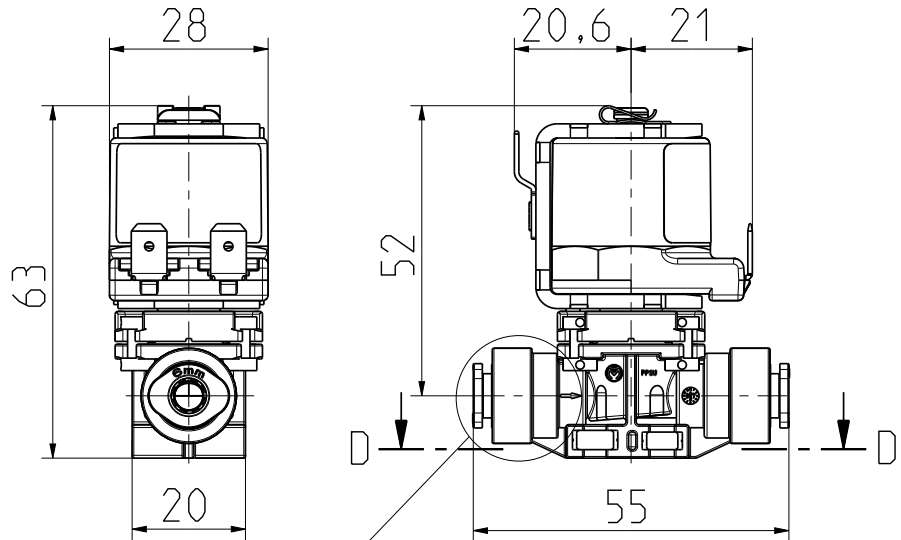


2/2 way direct acting solenoid valve NC
DN 3, 4, 5 - media separated, duty cycle 50 %

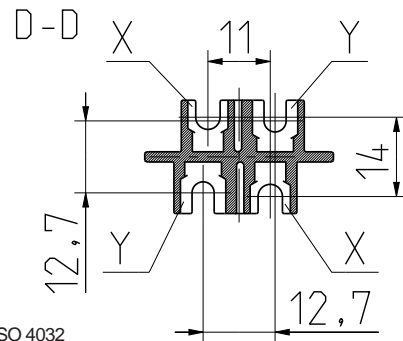


A. u. K. Müller

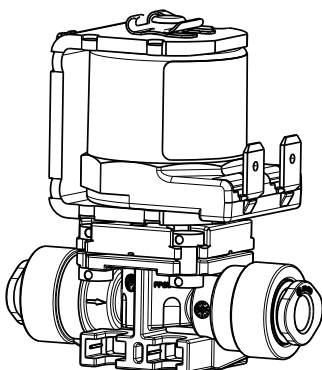
Series 43.00x.102



FitSys 18 cartridge	PPSU
John Guest cartridge	POM
O-ring	
FitSys 18 cartridge	FPM
John Guest cartridge	EPDM



slot for nut
 X = M4 DIN EN ISO 4032
 Y = N 6-32 UNC ANSI B1.1



Options

	Inlet	Outlet	Length	
FitSys 18 cartridge	6	6	55	on request
John Guest cartridge				
Fit Sys 18 cartridge	8	8	55	on request
John Guest cartridge				
John Guest cartridge	1/4"	1/4"	55	

The FitSys 18 connections are suitable for medium and ambient temperatures of up to 98°C. The applicability of the John Guest connection to medium- or ambient temperatures higher than 65°C is temporarily feasible, but has to be verified accordingly in the respective application.

2/2 way direct acting solenoid valve NC
DN 3, 4, 5 - media separated, duty cycle 50 %



A. u. K. Müller

Solenoid valves
Control valves
Special valves and systems

A. u. K. Müller GmbH & Co. KG
Dresdener Str. 162
D-40595 Düsseldorf/Germany

Tel.: +49(0)211-7391-0
Fax: +49(0)211-7391-281

e-mail: info@akmueller.de
Internet: www.akmueller.de