



Series 42.008.126



Characteristics

- Outlet pressure adjustable, factory presettable
- With snap-lock adjustment knob
- Balancing of inlet pressure
- Suitable for hot water up to 80°C
- Ambient temperature up to 70°C
- Reduced noise of flow
- Compact design
- Hydraulic functionality in accordance to EN 1567
- Long term performance capability by the use of high quality materials

Applications

- Pressure reduction and flow rate regulation
- Protection of pressure caused damages of pipework downstream
- Pipework in home and industrial appliances
- Upstream to water inlet valves for appliances as vending and espresso machines, industrial appliances, steam ovens and others

Description

The pressure regulator converts variable inlet pressures into a lower, constant outlet pressure. It can be used to protect equipment from high or inconsistent incoming medium pressure.

This reduced and constant outlet pressure also enables a constant flow rate to be achieved independently of the incoming pressure. The orifice used to maintain this constant flow rate should be placed immediately after the pressure reducer. The pressure can easily be adjusted within the regulators specification range and is ideal for applications that require a constant flow rate or a specific timed volume delivery.

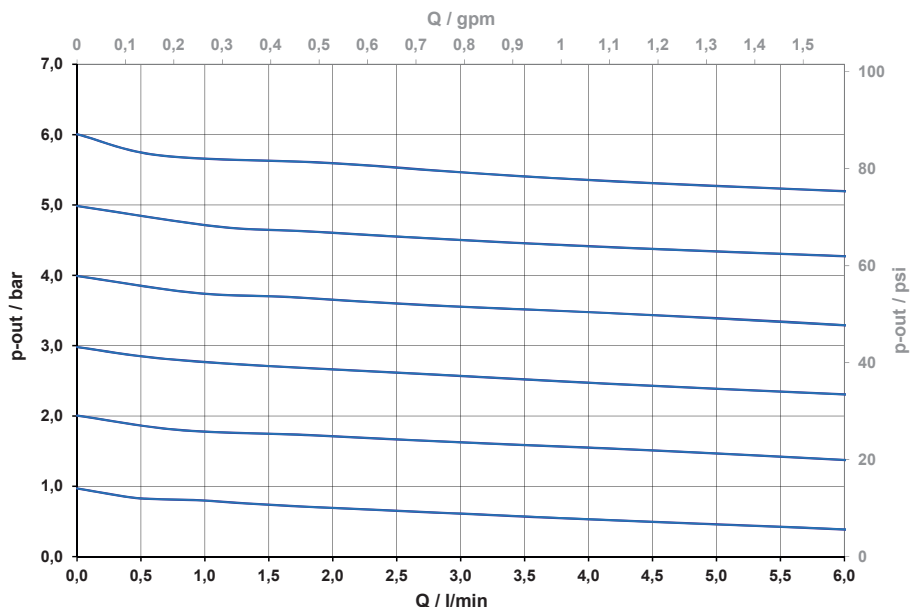
To ensure operation and long reliability of the pressure regulator it is recommended that a dirt strainer is fitted to the inlet. Check valves or solenoid valves can be placed downstream of the regulator.

The hydraulic functionality according to DIN EN 1567 is confirmed by an accredited laboratory. Furthermore, WRAS and SVGW approved versions are available.

Available approvals

- KTW/W270
- WRAS
- SVGW
- Others on request

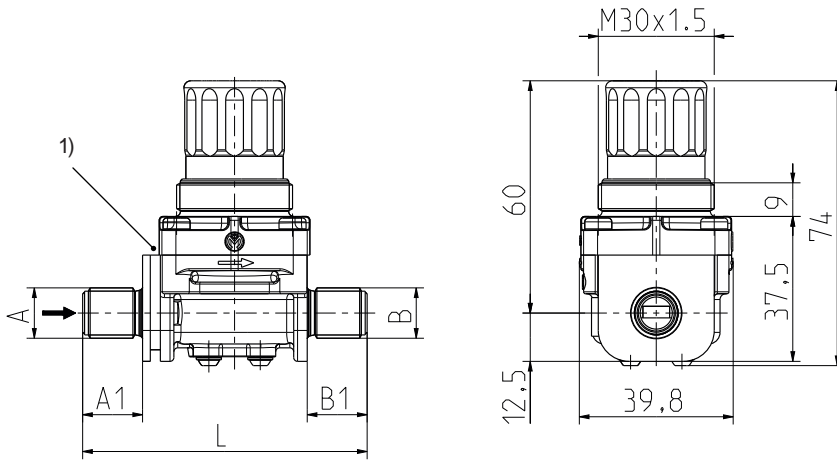
Typical flow rates at pressure p-in set to 8 bar, pressure p-out set to 1, 2, 3, 4, 5, or 6 bar. Flow determined by downstream located gradually opened ball valve.



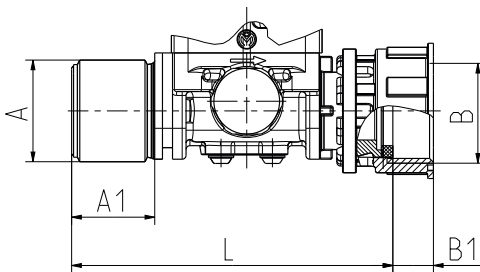
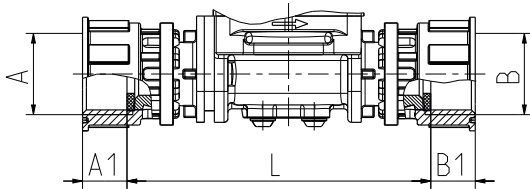


Series 42.008.126

Technical Data



Type	pressure reducer	
Construction	single chamber straight	
Fitting position	any, direction of flow marked by arrow	
Media	cold and heated potable water and physically and chemically similar media	
T-Medium	80 (176)	°C max. (°F max.)
T-Ambient	70 (158)	°C max. (°F max.)
DN	8 (0.315)	mm (inch)
Inlet pressure	16	bar max.
p-Outlet	1,2 - max. 6,0 (17.4 - max. 87.0)	bar (psi)



Pressure gauge connection

Materials

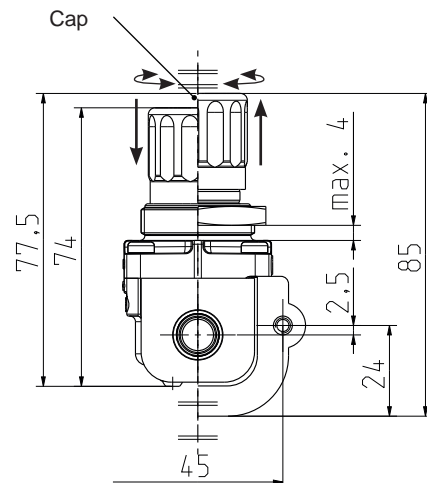
Valve body	PA 6/6
Spring and metallic parts	stainless steel
Membrane and sealings	EPDM

1) Fixing groove

Outlet pressure adjustment

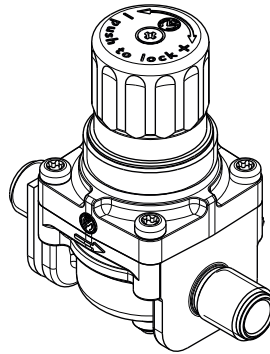
- Release screw in middle of the cap
- Unlock the cap by pulling
- Set the desired output pressure by turning the cap
- Press back cap into the locking position
- Tighten again the screw in the cap middle slightly

Upon delivery, the outlet pressure is factory set at 3 bar. Custom presets are available on request.



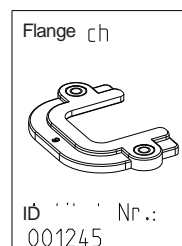
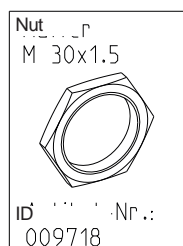


Series 42.008.126



Options							
ID	Material	Inlet		Outlet		Length	Pressure gauge connection
		Ø A	A1	Ø B	B1	L	
096400	PA 6/6	G 1/4	15,5	G 1/4	15,5	73,6	-
096401		G 1/4	15,5	G 1/4	15,5	73,6	G 1/4
096402		G 3/8	15,5	G 3/8	15,5	73,6	G 1/4
096403		G 1/2	18,0	G 1/2	18,0	78,6	G 1/4
096405		G 3/4	21,5	G 3/4	21,5	85,6	G 1/4
096406		G 3/4	21,5	G 3/4 Swivel nut	11,5	82,1	G 1/4
on request		G 1/4	9,0	G 1/4	9,0	60,6	G 1/4 optional
on request		Ø10 mm John Guest	15,5	Ø10 mm John Guest	15,5	73,6	G 1/4 optional
on request		Clip	14,05 male	Clip	10,25 female	67,0	G 1/4 optional
on request		G 1/4 female	15,5	G 1/4 female	15,5	73,6	G 1/4 optional
on request		G 3/8	15,5	G 3/8	15,5	73,6	-
on request		G 1/2	18,0	G 1/2	18,0	78,6	-
on request		G 3/4 Swivel nut	11,5	G 3/4 Swivel nut	11,5	78,6	G 1/4 optional
on request		G 1/2 Swivel nut	11,5	G 1/2 Swivel nut	11,5	78,6	G 1/4 optional

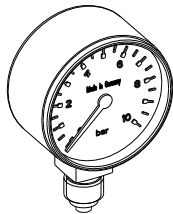
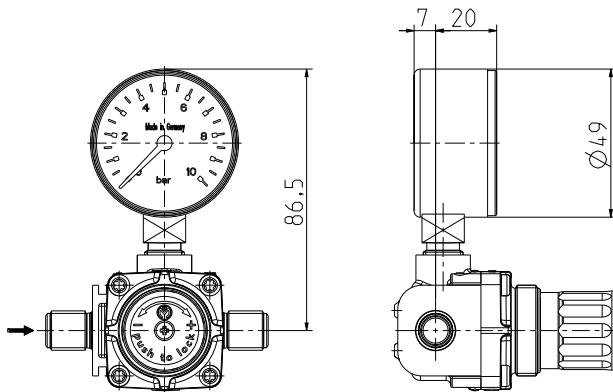
Other connection variants on request.





Series 42.008.126

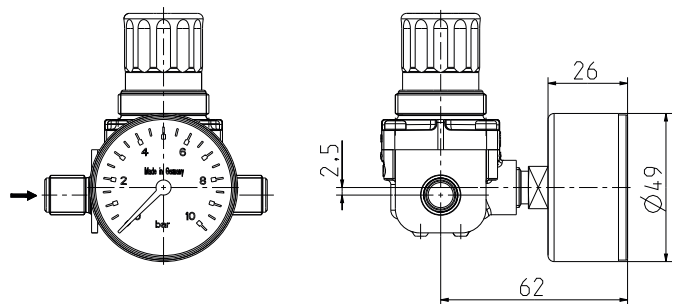
Pressure gauge connection options



Optional manometer

NS: 50 mm
 Range: 0 - 10 bar
 Connection: G 1/4 radial on bottom

ID: 006841



Optional manometer

NS: 50 mm
 Range: 0 - 10 bar
 Connection: G 1/4 center back

ID: 010047



Please make sure that the pressure regulator is not bended during installation:

- Please support connections properly
- Please align connections properly

Connection	Bending torque
G 1/4	max. 9 Nm
G 3/8	max. 18 Nm
G 1/2	max. 40 Nm - in accordance to EN 1567 § 8.2.1
G 3/4	max. 40 Nm - in accordance to EN 1567 § 8.2.1

