

Product Information

Float valve, DN 13



A.u.K. Müller

Solenoid valves
Control valves
Special valves and systems

A.u.K. Müller GmbH & Co. KG
Dresdener Str. 162
D-40595 Düsseldorf/Germany

Tel.: +49(0)211-7391-0
Fax: +49(0)211-7391-281

e-mail: info@akmueller.de
<http://www.akmueller.de>

Series 21.013.126



Characteristics

- proportional behaviour (flow depends on position of float lever)
- servo-controlled
- operation largely independent from inlet pressure
- easy to assemble and service
- compact design
- suitable for heated water up to 60 °C
- floater adjustable on thread rod
- thread rod can be shortened at predetermined breaking points
- different lever lengths available
- high operating safety through the use of high quality materials and 100% final testing of the products

Applications

- tank filling
- high pressure cleaning devices (system separation according to EN 1717)
- washing systems
- irrigation systems
- ice machines
- industrial appliances

Description

Servo-controlled valve nominal diameter DN 13, which closes by means of buoyancy of a floater to control level in tanks.

If liquid is drained from the tank, the float valve refills automatically and closes when the maximum level has been reached.

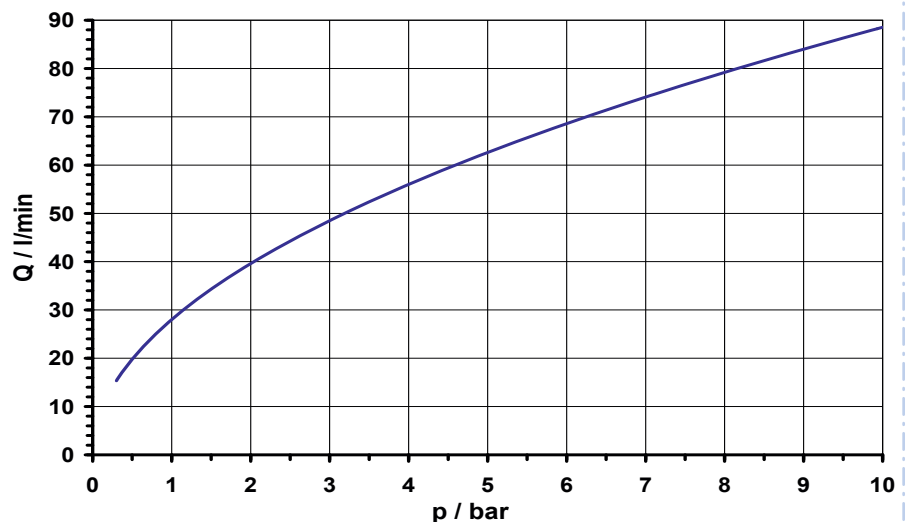
While water level and floater rises, the flow into the tank is throttled proportional to the levers position.

An overflow of small tanks will be prevented during the initial filling.

Valves of this design are single chamber straight valves.

The valve, having a glass fibre reinforced polyamid housing and can be manufactured with various connections and is suitable up to 60 °C by using a PE-floater.

typical performance curve



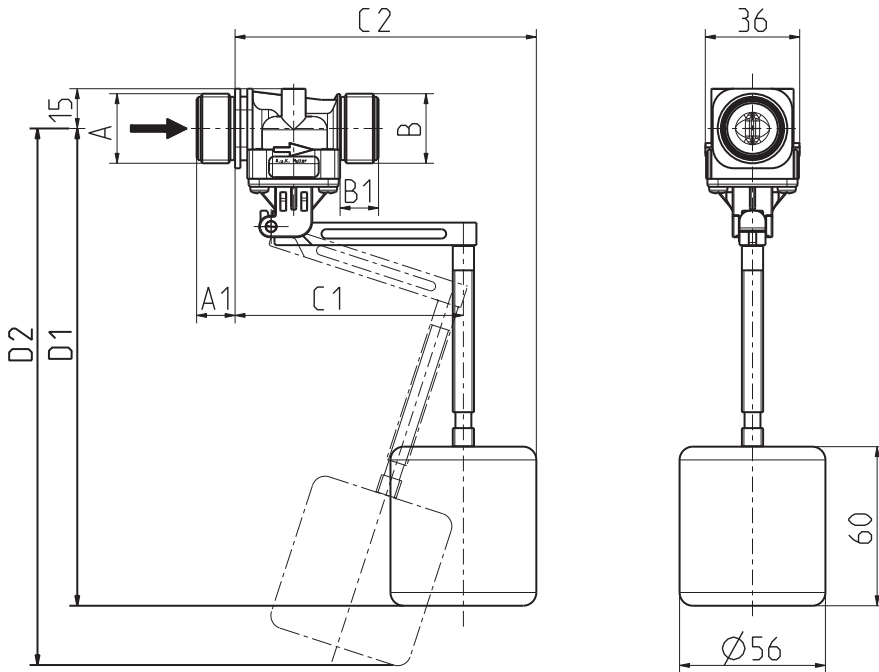
Product Information

Float valve, DN 13



A.u.K. Müller

Series 21.013.126

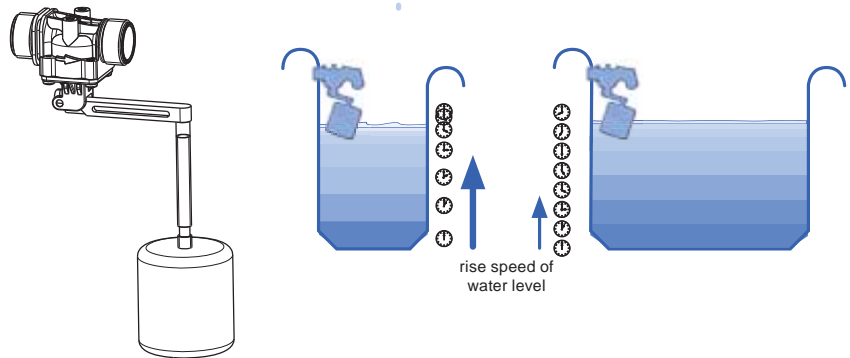


Technical Data

| | | |
|------------------|---|-------------------------|
| Type | float valve | |
| Construction | 2/2-way single chamber straight valve, servo-controlled | |
| Function | closed by buoyancy of float body | |
| Fitting position | floater pointing downwards | |
| Media | cold and heated potable water and physically and chemically similar media | |
| T-Medium | 30 60 | °C polystyrene °C PE |
| T-Ambient | as per T-Medium | |
| DN | 13 mm | |
| p-Operating | 0,3 - 10,0 bar | |
| Cv-value | 28 | l/min |
| Flow regulator | on request | |
| Float cylinder | position adjustable | |

Materials

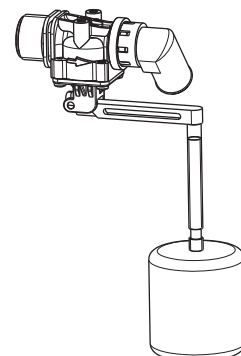
| | |
|-----------------------|--|
| Valve body | PA 66 glass fibre reinforced |
| Metal parts in medium | stainless steel |
| Membrane and sealings | EPDM |
| Float cylinder | polystyrene PE-foam on request |
| Float lever | POM |
| Filter | POM (at inlet) stainless steel on request |



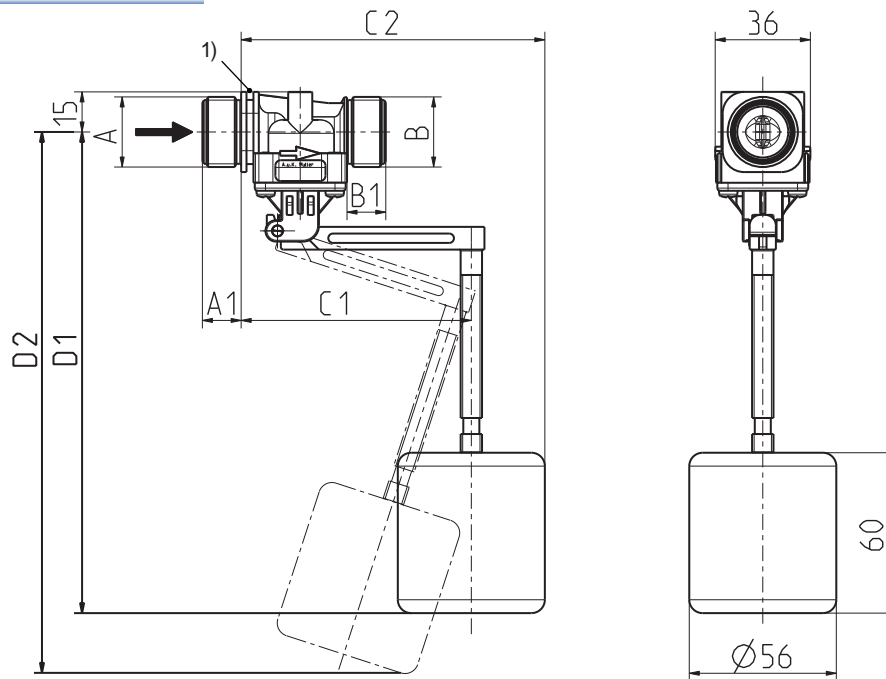
Options

| Lever dimensions | a) | b) |
|------------------|-----|-----|
| D1 | 113 | 180 |
| D2 | 131 | 203 |
| C1 | 57 | 86 |
| C2 | 85 | 114 |

Elbow nozzle



Series 21.013.126



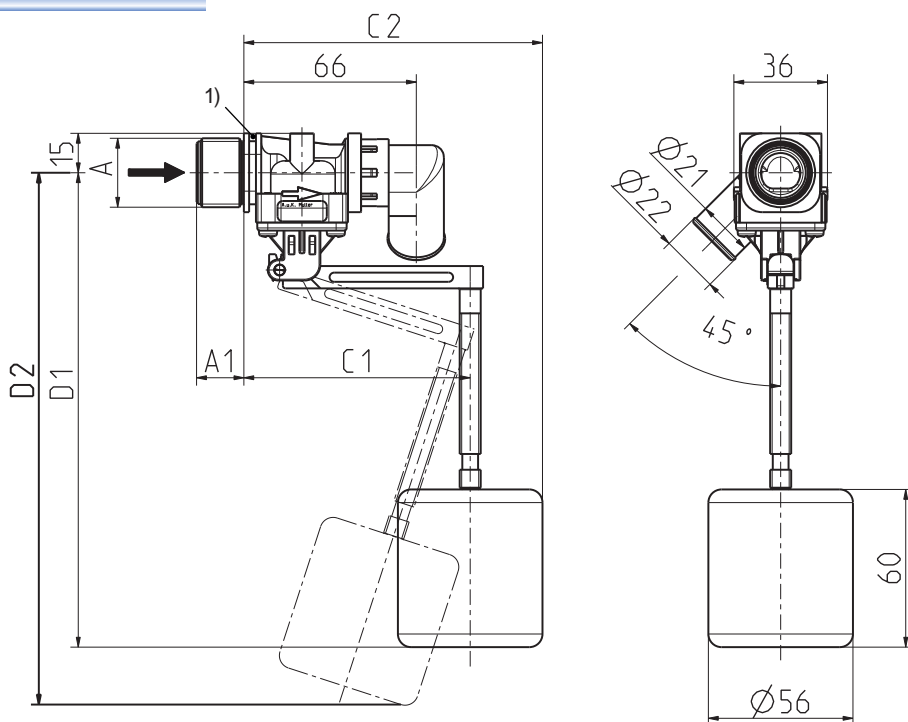
1) Fixing groove

Options

| Material | Inlet | | Outlet | |
|----------|---------------------------------|------|-------------|------|
| | Ø A | A1 | Ø B | B1 |
| PA 66 | G 1/2 | 15,0 | G 1/2 | 15,0 |
| PA 66 | G 1/2 | 15,0 | 19,5 nozzle | 25,5 |
| PA 66 | G 3/4 (no fixing clip possible) | 10,0 | G 3/4 | 10,0 |
| PA 66 | G 3/4 | 14,5 | G 3/4 | 14,5 |
| PA 66 | G 3/4 | 14,5 | G 3/4 | 18,0 |
| PA 66 | G 3/4 | 14,5 | 19,5 nozzle | 25,5 |
| PA 66 | G 3/4 | 18,0 | G 3/4 | 14,5 |
| PA 66 | G 3/4 | 18,0 | G 3/4 | 18,0 |
| PA 66 | G 3/4 | 18,0 | 19,5 nozzle | 25,5 |
| PPE | G 3/4 | 18,0 | 19,5 nozzle | 25,5 |
| PPE | .75-11.5 NH | 18 | 19,5 nozzle | 25,5 |



Series 21.013.126



1) Fixing groove

| Material | Inlet | |
|----------|-------|------|
| | Ø A | A1 |
| PA 66 | G 1/2 | 15,0 |
| PA 66 | G 3/4 | 14,5 |
| PA 66 | G 3/4 | 18,0 |

