

# Product Information

Float valve, DN 10



**A.u.K. Müller**

Steuerventile et vannes  
Commandes à contrôle  
Special valves and systems

A. K. Müller GmbH & Co. KG  
Dresdeneckstr. 162 GLOIS  
D-40595 Düsseldorf  
F-77600 BUSSY SAINT MARTIN  
Tel.: +39 (0) 21 6 7 3 2 1 9 0 1 4  
Fax: +39 (0) 21 6 7 3 2 1 9 3 8 1 2

e-mail: info@akmueller.de  
Internet: www.akmueller.de

## Series 21.010.115



## Characteristics

- proportional behaviour (flow depends on position of float lever)
- servo-controlled
- operation largely independent from inlet pressure
- easy to assemble and service
- compact design
- suitable for heated water up to 60 °C, with optional stainless steel floater up to 90 °C
- floater adjustable on thread rod
- thread rod can be shortened at predetermined breaking points
- different lever lengths available
- high operating safety through the use of high quality materials and 100% final testing of the products

## Applications

- tank filling
- high pressure cleaning devices (system separation according to EN 1717)
- washing systems
- irrigation systems
- ice machines
- industrial appliances

## Description

Servo-controlled valve nominal diameter DN 10, which closes by means of buoyancy of a floater to control level in tanks

If liquid is drained from the tank, the float valve refills automatically and closes when the maximum level has been reached.

While water level and floater rises, the flow into the tank is throttled proportional to the levers position.

An overflow of small tanks will be prevented during the initial filling.

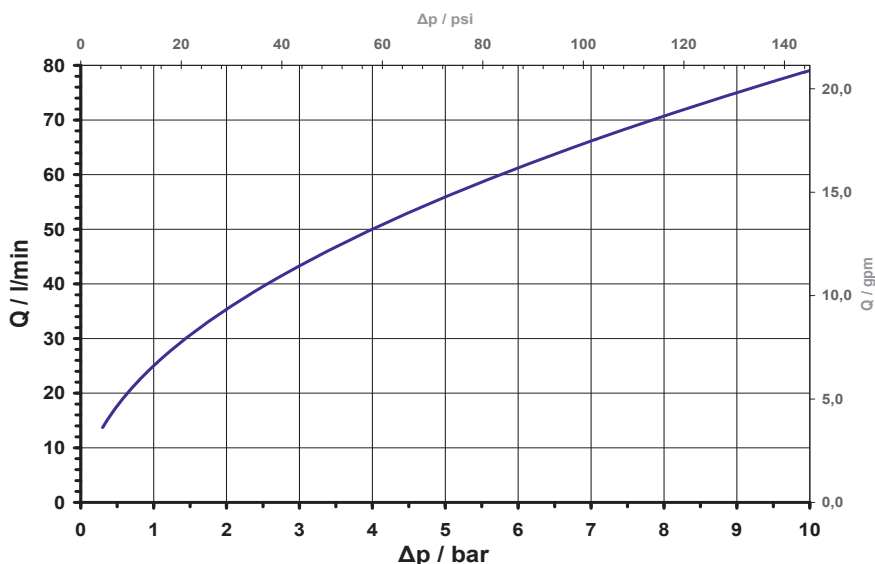
Valves of this design are single chamber valves with the inlet ninety degrees to the outlet.

The valve, having a glass fibre reinforced polyamid body and can be manufactured with various connections and is suitable up to 60 °C by using a PE-floater. For heated water up to max. 90 °C a stainless steel float ball is available on request.

## Available approvals

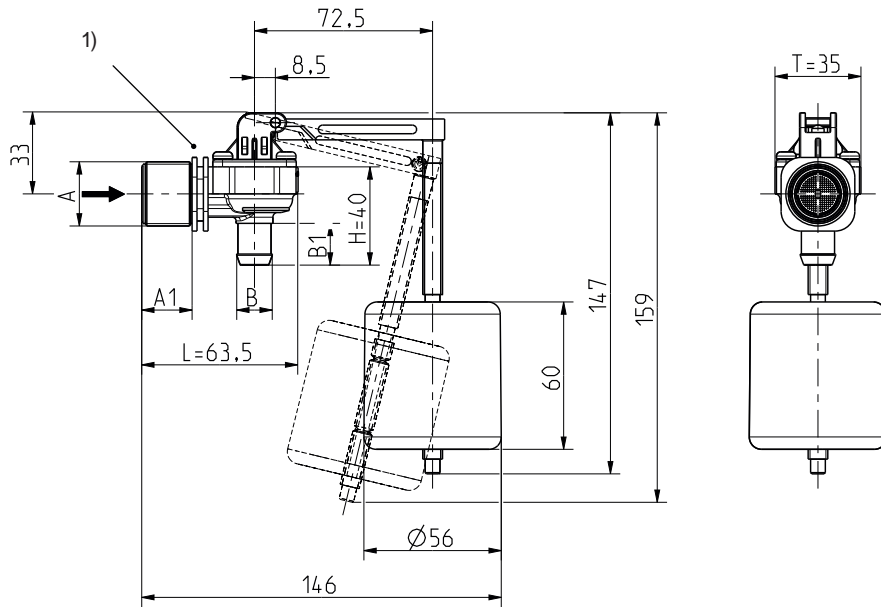
- KTW/W270
- WRAS
- Others on request

typical performance curve





**Series 21.010.115**



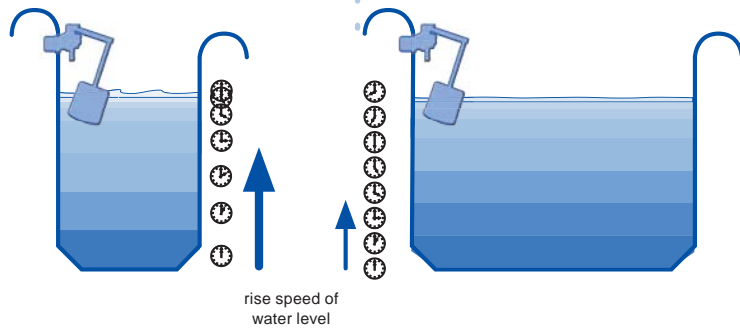
1) Fixing groove

**Technical Data**

<b>Type</b>	float valve	
<b>Construction</b>	2/2-way single chamber valve inlet ninety degree to the outlet, servo-controlled	
<b>Function</b>	closed by buoyancy of float	
<b>Fitting position</b>	float pointing downwards	
<b>Media</b>	cold and heated potable water and physically and chemically similar media	
<b>T-Medium</b>	30 60 90	°C max. polystyrene °C max. PE °C max. stainless steel
<b>T-Ambient</b>	as per T-Medium	
<b>DN</b>	10	mm
<b>p-Operating</b>	0,3 - 10	bar
<b>Cv-value</b>	25	l/min
<b>Flow regulator</b>	on request	
<b>Float cylinder</b>	adjustable position	

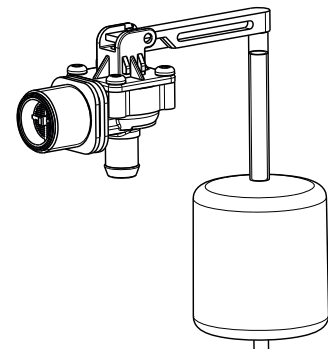
**Materials**

<b>Valve body</b>	PA 66 glass fibre reinforced PA 6/6 (on request)
<b>Metal parts in medium</b>	stainless steel
<b>Membrane and sealings</b>	EPDM
<b>Float cylinder</b>	PE-foam polystyrene (on request) stainless steel 1.4301 (on request)
<b>Float lever</b>	POM
<b>Filter</b>	POM (in inlet) stainless steel (on request)



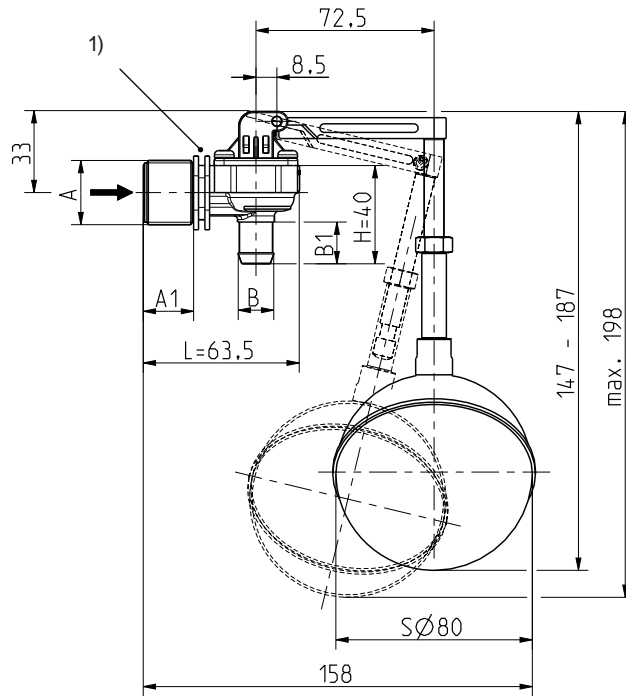
**Options**

Material	Inlet		Outlet		
	Ø A	A1	Ø B	B1	
PA 66	G 3/4	20,0	14,5 nozzle	17,0	
PA 66	G 3/4	20,0	11,5 nozzle	16,0	
PA 6/6	G 3/4	20,0	14,5 nozzle	17,0	
PPE grey	G 3/4	20,0	14,5 nozzle	17,0	on request
PPE black	.75-11,5 NH	20,0	10,0 nozzle	16,0	on request
PEI	G 3/4	20,0	14,5 nozzle	17,0	on request





**Series 21.010.115**



1) Fixing groove

Options					
Material	Inlet		Outlet		
	Ø A	A1	Ø B	B1	
PA 66	G 3/4	20,0	14,5 nozzle	17,0	
PA 66	G 3/4	20,0	11,5 nozzle	16,0	on request
PA 6/6	G 3/4	20,0	14,5 nozzle	17,0	on request
PPE grey	G 3/4	20,0	14,5 nozzle	17,0	on request
PPE black	.75-11,5 NH	20,0	10,0 nozzle	16,0	on request
PEI	G 3/4	20,0	14,5 nozzle	17,0	on request



Series 21.010.115



Solenoid valves  
Control valves  
Special valves and systems

A. u. K. Müller GmbH & Co. KG  
Dresdener Str. 162  
D-40595 Düsseldorf/Germany

Tel.: +49(0)211-7391-0  
Fax: +49(0)211-7391-281

e-mail: [info@akmueller.de](mailto:info@akmueller.de)  
Internet: [www.akmueller.de](http://www.akmueller.de)