

Power Supply *Product Information*



A. u. K. Müller

Solenoid valves
Control valves
Special valves and systems

A. u. K. Müller GmbH & Co. KG
Dresdener Str. 162
D-40595 Düsseldorf/Germany

Tel.: +49(0)211-7391-0
Fax: +49(0)211-7391-281

e-mail: info@akmueller.de
Internet: www.akmueller.de

Series IRS-PS-x



Europe

IRS-PS-UE
12 VDC

IRS-PS-ME
6,75 VDC



Global

IRS-PS-UG
12 VDC

IRS-PS-MG
6,75 VDC

Characteristics

- For powering external IR-sensors
- Compact design
- High reliability
- Safety due to additional energy buffer

Description

Power supply to operate IR-sensors including the additional feature of integrated energy buffer.

The energy buffer enables the sensor for a last closing impulse. The valve does not remain in the open state and uncontrolled flow of water is avoided.

Applications

- Power Supply IRS-PS-Ux for:
x: E = Europe
x: G = Global

IRS-WT	Faucet
IRS-WT-E	Faucet Eco Mode short range
IRS-WT-OF	Faucet ON/OFF Mode

IRS-UWS-U	Urinal (Stadium Mode included)
IRS-UWS-WC	WC
IRS-UWS-B DM	Shower (Body Detect Mode)
IRS-UWS-HDM	Shower (Hand Detect Mode)



Low voltage connection
12 VDC ± 5%

- Power Supply IRS-PS-Mx for:
x: E = Europe
x: G = Global

IRS-WT-MF	Faucet flat screen
IRS-WT-MC	Faucet curved screen



Low voltage connection
6,75 VDC ± 3%



Series IRS-PS-x

The power supply has the special feature of an integrated emergency shutdown of the valve.

In case of a sudden power failure the buffered energy will be recognized as a low voltage by the attached sensor. The sensor then delivers a last closing impulse which closes a potentially open valve.

Costs caused by persistent water flow or even expensive water damages can effectively be avoided.

Technical Data

IRS-PS-UE
IRS-PS-UG
Plug-in AC to DC power device (Class II) for sensor types:

IRS-WT	Faucet
IRS-WT-E	Faucet Eco Mode
IRS-WT-OF	Faucet ON/OFF Mode



IRS-UWS-U	Urinal (Stadium Mode included)
IRS-UWS-WC	WC
IRS-UWS-BDM	Shower (Body Detect Mode)
IRS-UW-HDM	Shower (Hand Detect Mode)

Input	
Rated AC input voltage	100 - 240 V AC
Operating input voltage	90 - 264 V AC
Rated input frequency	50/60 Hz
Operating frequency	47 - 63 Hz
AC input current	300 mA max.
Output	
Output voltage	12 V DC \pm 5%
Output current	0 - 420 mA
Output power	5 W max.
Ripple limit	1 % of output voltage
Noise limit	2 % of output voltage
Short circuited protection	Output will be less than rated output voltage, AC input power peak will be less than 5 W. Auto-Recovery function.
Over current protection	Protection level will be less than 200 % of output current. Auto-Recovery function.
Over voltage protection	Protection level will be less than 120 % of output voltage.
Environmental	
Operating temperature	0 - 40 °C
Storage temperature	-20 - 70 °C
Operating humidity	75 % RH
Storage humidity	95 % RH
Protection class	IP 40 (IRS-UE) IP 20 (IRS-UG)
Mechanical	
Case	PC + ABS
Weight	75 g

IRS-PS-ME
IRS-PS-MG
Plug-in AC to DC power device (Class II) for sensor types:

IRS-WT-MF	Faucet flat screen
IRS-WT-MC	Faucet curved screen



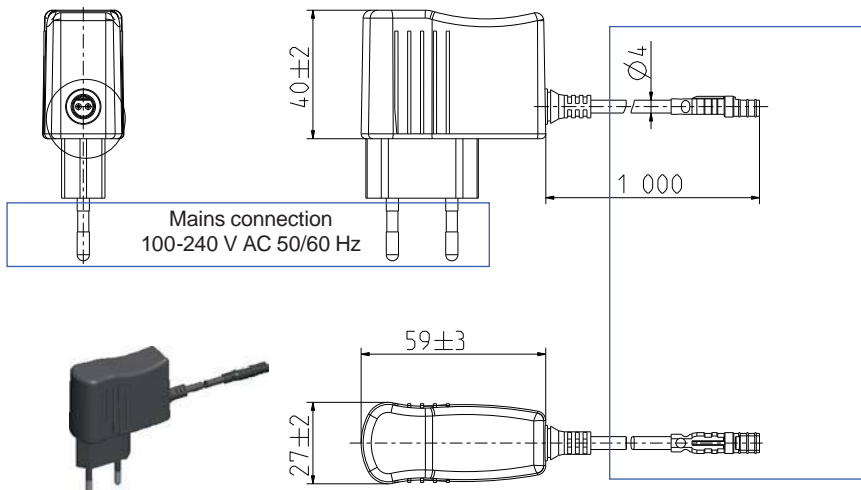
The feature of detection of a sudden power failures is only applicable after the Power-On time period of the sensor has expired and the sensor works in standard mode.

Input	
Rated AC input voltage	100 - 240 V AC
Operating input voltage	90 - 264 V AC
Rated input frequency	50/60 Hz
Operating frequency	47 - 63 Hz
AC input current	300 mA max.
Output	
Output voltage	6,75 V DC \pm 2%
Output current	0 - 500 mA
Output power	3,45 W max.
Ripple limit	1 % of output voltage
Noise limit	2 % of output voltage
Short circuited protection	Output will be less than rated output voltage, AC input power peak will be less than 5 W. Auto-Recovery function.
Over current protection	Protection level will be less than 200 % of output current. Auto-Recovery function.
Over voltage protection	Protection level will be less than 120 % of output voltage.
Environmental	
Operating temperature	0 - 40 °C
Storage temperature	-20 - 70 °C
Operating humidity	75 % RH
Storage humidity	95 % RH
Protection class	IP 40 (IRS-ME) IP 20 (IRS-MG)
Mechanical	
Case	PC + ABS
Weight	75 g



Series IRS-PS-x

Euro version



IRS-PS-UE

Low voltage connection
12 VDC ± 5%

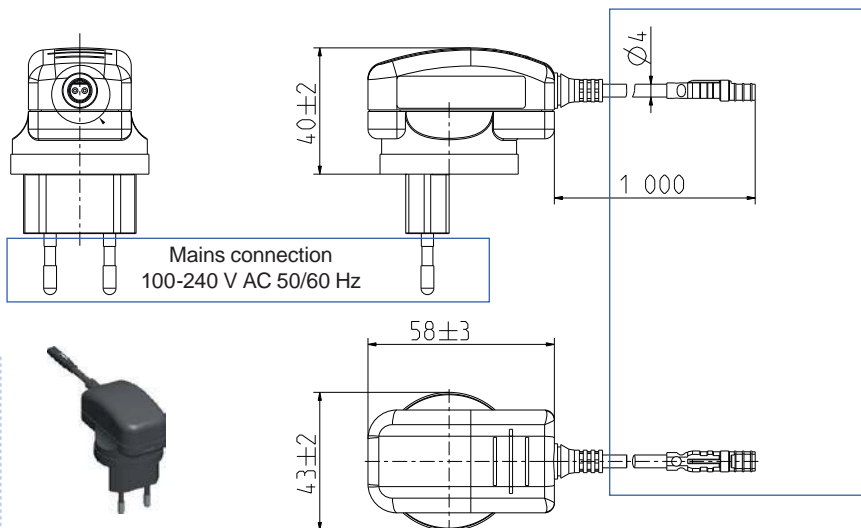
ID: 009338

IRS-PS-ME

Low voltage connection
6,75 VDC ± 3%

ID: 009225

Optional: global version for various plug systems



IRS-PS-UG

Low voltage connection
12 VDC ± 5%

ID: 009293

IRS-PS-MG

Low voltage connection
6,75 VDC ± 3%

ID: on request

Mains connection can be changed to different plug systems.

