

## Connectors and cables with integrated energy storage, 2-core



### A. u. K. Müller

Solenoid valves  
Control valves  
Special valves and systems

A. u. K. Müller GmbH & Co. KG  
Dresdener Str. 162  
D-40595 Düsseldorf/Germany

Tel.: +49(0)211-7391-0  
Fax: +49(0)211-7391-281

e-mail: [info@akmueller.de](mailto:info@akmueller.de)  
Internet: [www.akmueller.de](http://www.akmueller.de)

#### Series SC2



#### Characteristics

- Increased security with energy storage in case of power failure
- IP 67 for plug / socket connection (72 h / 1 m)
- Protected against polarity reversal by visible and tactile guide contour (guide marks for assembly and flattening on plug and socket)
- Anti twist protected
- RoHS compliant
- PVC encapsulation of plug and socket complies with EN 60335-1 glow wire test (750 °C)

#### Application

- Cable connections for low voltage valves and sensors (SELV)
- Cable connections for electrical components such as thermostatic controls, flush-mounted devices, infra-red taps, battery connectors and similar applications.

#### Description

In the case of a power failure, the energy store integrated into cable SC2 provides a last pulse to the sensor system IRS-WT-x, IRS-UWS-x or IRS-WT-Mx. This closes the low voltage solenoid valve and prevents wasting water or flooding.

The plug and socket connectors are specially designed to prevent both twisting and reverse polarity and conform to protection class IP67.

The PVC cable sleeve material complies with the EN60335-1 standard for unattended devices with a current greater than 200 mA (tested 750 °C, VDE).



Valve



Sensor



Cable with integrated energy storage SC2



Cable SC1



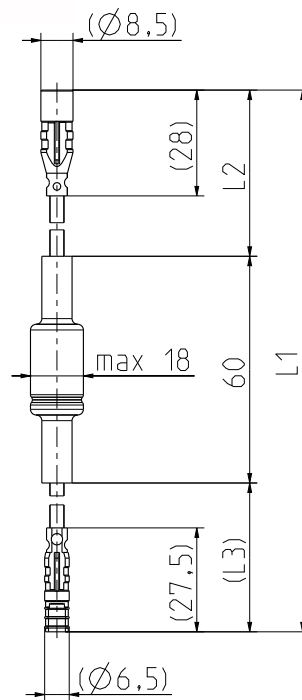
Central power supply, flush-mounted

Series SC2

Technical Data

Maximum operating voltage	16	VDC
Nominal current (25°C)	5	A
Contact resistance	10	mOhm
Protection type	IP 67 according to EN 60529	

Cable length L1 [mm] *	Cable length L2 [mm] *	Cable length L3 [mm] *
300 ± 10	160 ± 10	80 ± 10
*others on request		



Cable type

		Cable type	Cable colours	Cross-Section			Sleeve	
				[mm²]	AWG	UL Style	Cable outer insulation	D OD Ø
SC2-M-R SC2-F-R		Round cable LIYY	red/black	2 x 0,23	2 x AWG 24	2464/1061		PVC Ø 4 mm

Customized extension cables

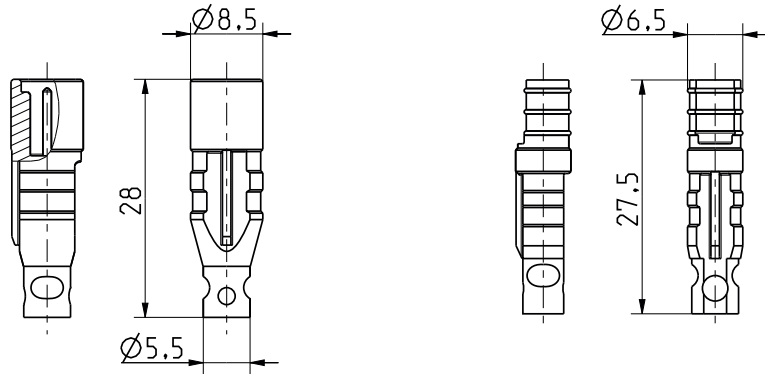
Using the standard cable SC1 simple extensions can be realized.

On request, customer specific connectors appropriate to the cable type are possible.



**Series SC2**

**Socket and plug connectors for round cables**



Specially shaped to prevent twisting and reverse polarity connection.



**SC2-M-R**



**SC2-F-R**

**Option**

Sockets and plugs can be provided on request with a colour marking to facilitate optical alignment of the contacts.

**Standard  
without colour marking**



**Standard  
with colour marking**

**SC2-M-R  
SC2-F-R**





Solenoid valves  
Control valves  
Special valves and systems

A. u. K. Müller GmbH & Co. KG  
Dresdener Str. 162  
D-40595 Düsseldorf/Germany

Tel.: +49(0)211-7391-0  
Fax: +49(0)211-7391-281

e-mail: [info@akmueller.de](mailto:info@akmueller.de)  
Internet: [www.akmueller.de](http://www.akmueller.de)