

Battery cases *Product Information*



A.u.K. Müller

Solenoid valves
Control valves
Special valves and systems

A. u. K. Müller GmbH & Co. KG
Dresdener Str. 162
D-40595 Düsseldorf/Germany

Tel.: +49(0)211-7391-0
Fax: +49(0)211-7391-281

e-mail: info@akmueller.de
Internet: www.akmueller.de

Elastomeric cases



Description

Elastomer battery case to slide in a 6V lithium or 9V battery type E with moisture protected battery terminals.

Originally developed as an accessory for the bi stable integral cartridge valves of product line 050-... the elastomer battery cases are singly available with twin flex cable of about 125 mm length and round connector by default.

Additionally, the battery casings are suitable for all appliances requiring an independent power supply.

Due to the moisture protection, they can be utilised in a wide range of similar environments.

The PC battery case enables the protection type IP 65.

Applications

- sanitary fittings
- photo and video applications
- model making
- use in moistened areas

Characteristics

- moisture protected battery terminals
- any fitting position
- battery change without tools (not for PC case)

PC box

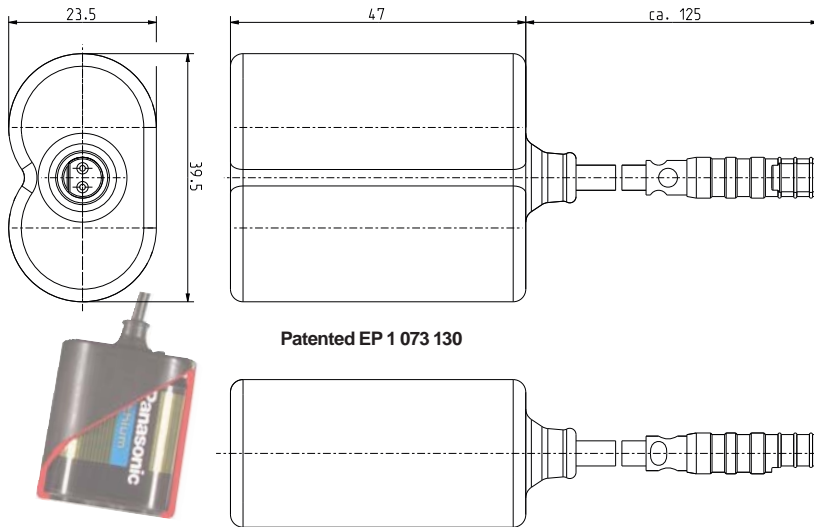


ABS box





battery type: CR-P2 6V Lithium



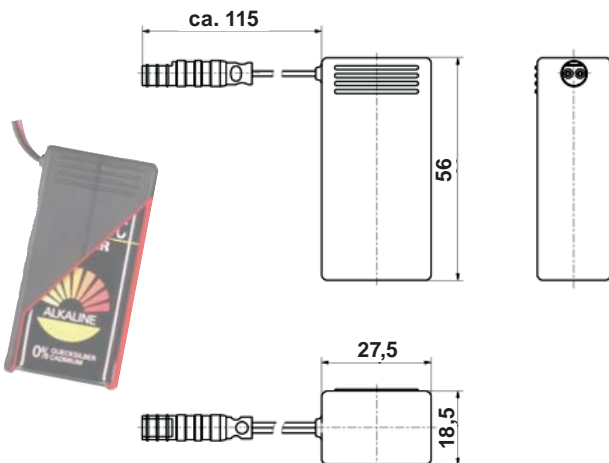
Technical Data

Battery types	6V CR-P2 lithium 9V E-block
Construction	elastomer case or plastic housing
Battery terminals	integrated
Cable	Liy 2 x 0,25mm ²
Cable length	125 mm (by default)
Connection	on request

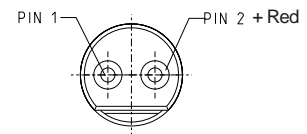
Materials

Battery case 6V	NBR
Cable insulating	PVC

battery type: PP3 9V alkaline



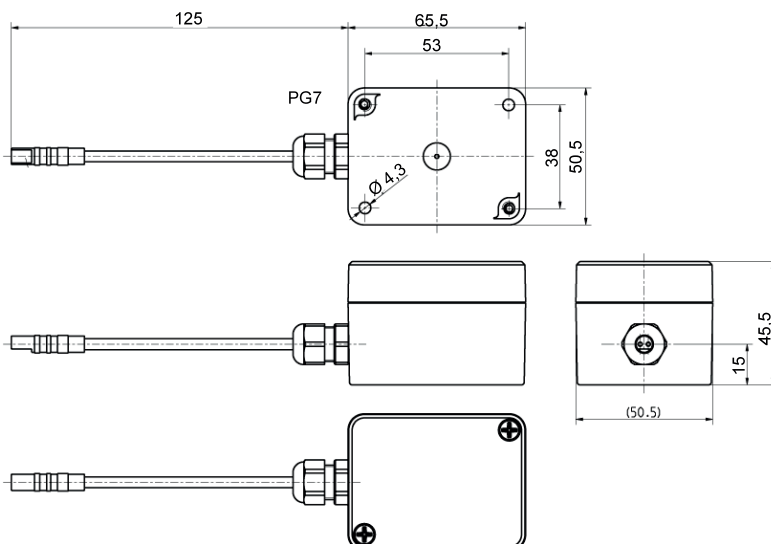
Contact assignments for all sockets



Materials

Battery case 9V	EPDM
Cable insulating	PVC

battery type: PP3 9V alkaline



Materials

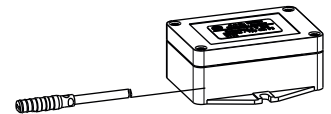
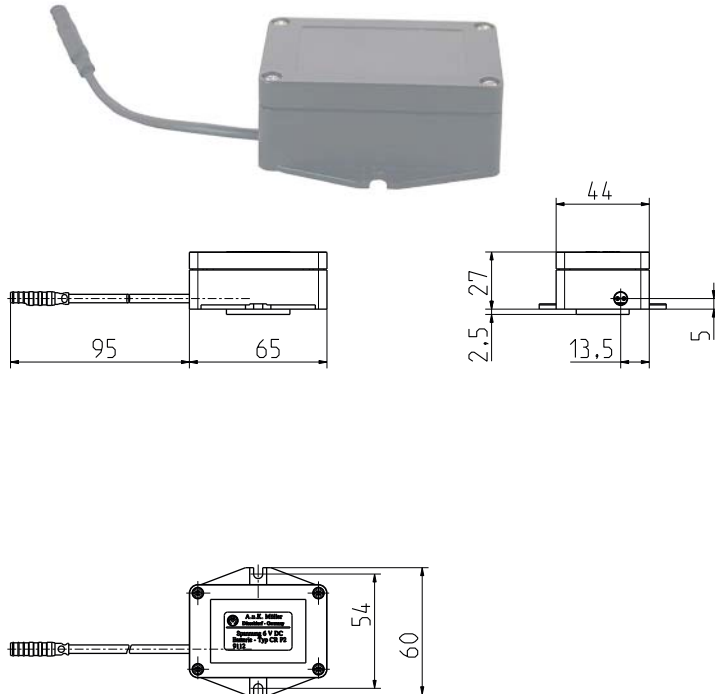
Battery box 9V	PC (polycarbonate)
Cable insulating	PVC

Battery cases *Product Information*



A.u.K. Müller

battery type: CR-P2 6V Lithium



Materials

Battery box 9V	ABS
Cable insulating	PVC