

# Product Information

## Acentric cartridge valve, monostable



**A. u. K. Müller**

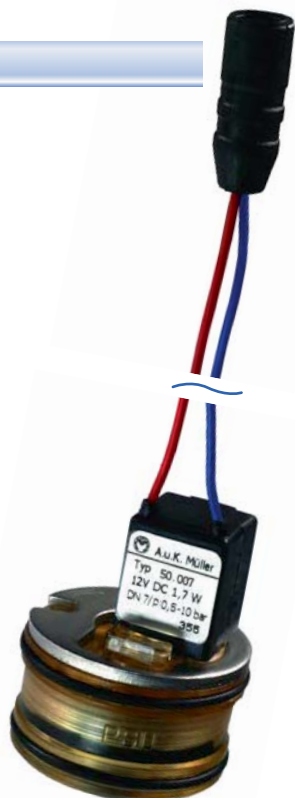
Solenoid valves  
Control valves  
Special valves and systems

A. u. K. Müller GmbH & Co. KG  
Dresdener Str. 162  
D-40595 Düsseldorf/Germany

Tel.: +49(0)211-7391-0  
Fax: +49(0)211-7391-281

e-mail: [info@akmueller.de](mailto:info@akmueller.de)  
Internet: [www.akmueller.de](http://www.akmueller.de)

**Series 50.007.800**



### Characteristics

- servo-controlled
- long term performance capability
- internal double pollution protection
- compact design
- optimized water hammer characteristic by low noise emission according to EN 60730 in plug in contour
- easy to assemble and service
- low power consumption
- any fitting position
- high operating safety by the use of high quality materials and 100% final testing of the products

### Applications

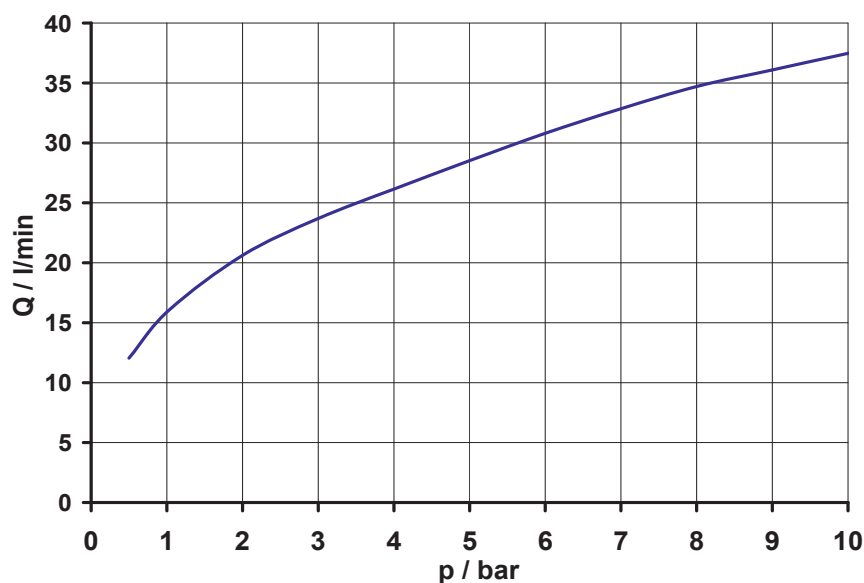
- sanitary fittings
- irrigation systems
- industrial appliances
- pilot system for valves with a larger nominal diameter

### Description

2/2-way monostable servo controlled solenoid valve, DN 7, in cartridge design. Especially developed to control potable water in opto electronically operated faucets.

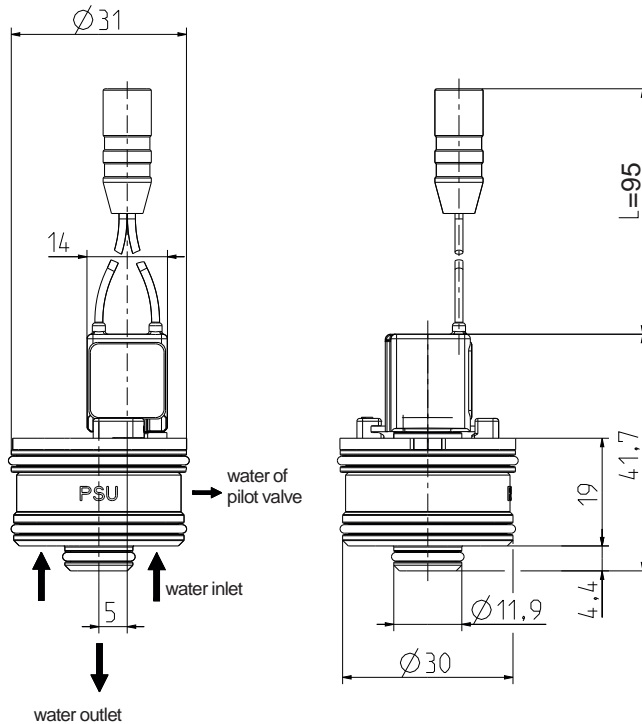
Compact design makes it easy to integrate the valve into sanitary faucets and the plug-in design simplifies installation and service.

typical performance curve (determined plug-in contour)





**Series 50.007.800**

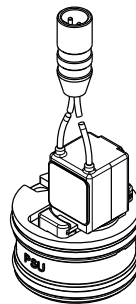


**Technical Data**

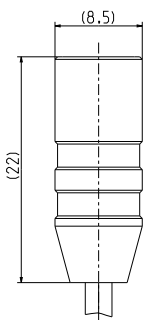
<b>Type</b>	acentric cartridge valve, monostable	
<b>Construction</b>	2/2-way, plug-in, servo controlled	
<b>Function</b>	NC (normally closed)	
<b>Fitting position</b>	any	
<b>Media</b>	cold and heated potable water and physically and chemically similar media	
<b>T-Medium</b>	5 - 70	°C
<b>T-Ambient</b>	5 - 50	°C
<b>DN</b>	7	mm
<b>p-Operating</b>	0,5 - 10,0	bar
<b>Cv-value</b>	16	l/min
<b>pressure surge</b>	according to EN 60730	
<b>Nominal voltage</b>	12	V DC
	24	V DC
	12	V AC 50/60Hz
	special voltage on request	
<b>Voltage tolerance</b>	-15% +10%	
<b>optional voltage reduction</b>		
	$t_{start} : 100 \text{ ms}$ $tp:T \geq 1:3$ [ $>100\text{Hz}$ ] PWM $t_{start} : 100 \text{ ms}$ $tp:T \geq 1:4$ [ $>1\text{kHz}$ ] PWM	
<b>Duty cycle</b>	100%	
<b>Nominal power</b>	12 V DC	1,7 W
	24 V DC	1,8 W
	12 V AC	1,0 W
	1,33 VA (AC only)	
<b>Protection Type</b>	IP 65	
<b>Insulation class</b>	A	according to EN 60730
<b>Protection class</b>	III	according to EN 60730

**Materials**

<b>Valve body</b>	PSU
<b>Plunger guide</b>	POM
<b>Plunger and spring</b>	stainless steel
<b>Membrane and sealings</b>	EPDM
<b>Coil coating</b>	hotmelt

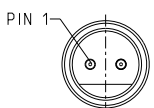


**Options**



**Male connector**

strand color **RED** Pin 1  
strand color **BLUE**

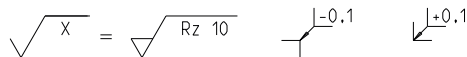
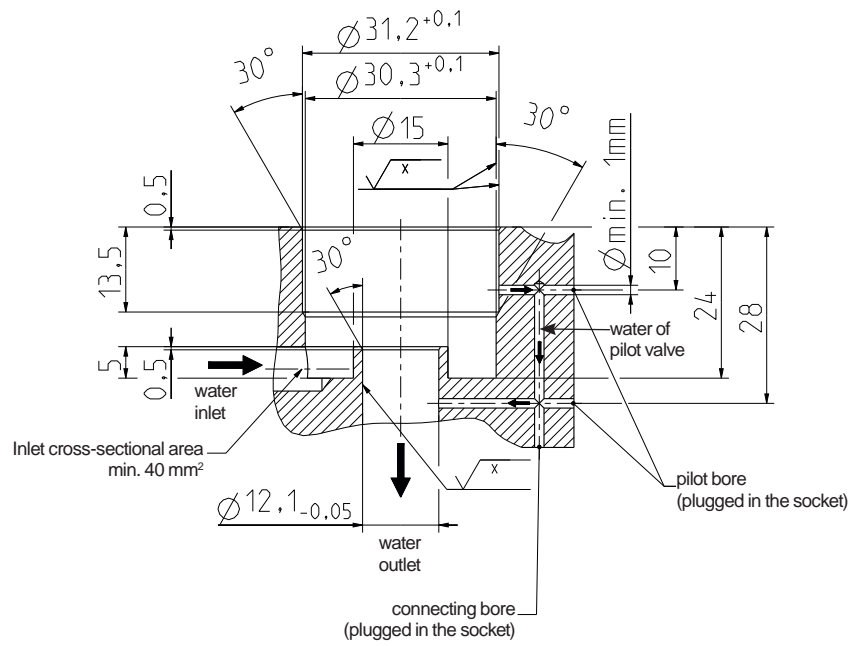




# Product Information

Series 50.007.800

## Plug in contour



## Valve securement

