



**Series 50.005.101**



**Characteristics**

- Servo-controlled
- Pre tested functional unit
- Suitable for the thermal as well as chemical disinfection
- Long term performance capability
- Internal triple pollution protection
- Compact design
- Optimized Cv-value for DN 5 (8,5 l/min at 1 bar)
- Optimized water hammer characteristic by low noise emission according to EN 60730 and EN 15091
- Easy to assemble and service
- Standard connection
- Cylindrical design
- Low power consumption
- Any fitting position
- Suitable for spray and jet water
- High operating safety through the use of high quality material
- Hygiene benefit by 100% final testing with air

**Applications**

- Sanitary fittings
- Electronic faucets
- Irrigation systems
- Industrial appliances

**Description**

2/2-way solenoid cartridge servo controlled valve of DN 5 in mono stable version, to be used particularly in electronically controlled sanitary fittings.

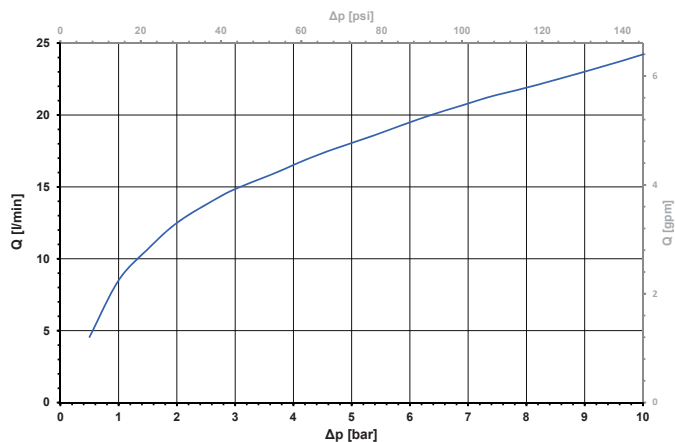
The design outline had been reduced so far that integration in appropriate components, while using a minimum amount of space, is given.

Positive properties are extended due to the simple "screw in" version, which supports easy assembly, service and tests by the customer.

The design of a separate valve seat by the customer is not to apply, as otherwise is needed, if a pilot valve will solely be used.

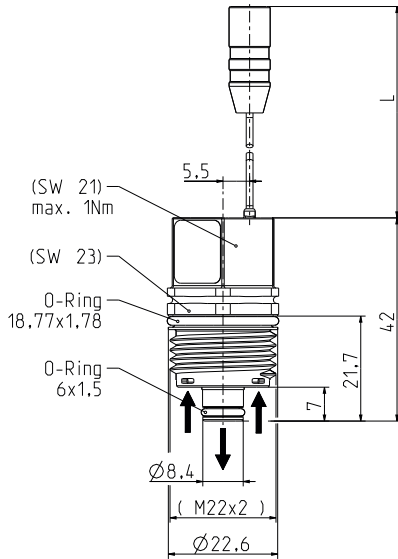
The rate of flow of the cartridge valve has been optimized in such a way, that the nominal diameter of DN 5 fulfils the standard requirements for sanitary tap ware.

typical performance curve





**Series 50.005.101**

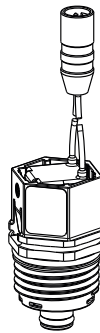


⚠ Before screw in o-rings are to be greased with silicone grease.

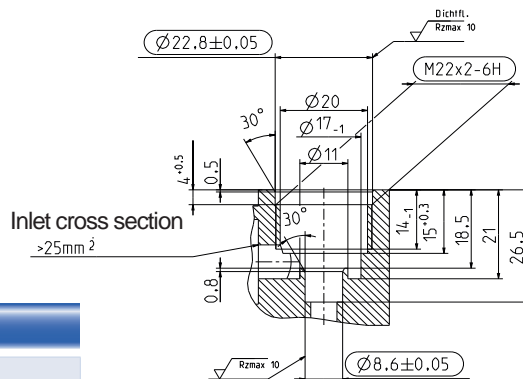
⚠ Max. Torque for screw in: 1Nm

Materials	
Valve body	PA 6/6
Seal support	PPSU
Plunger guide	LCP
Plunger	stainless steel
Membrane and sealings	EPDM
Filter	stainless steel (in inlet)

Options	
Connection type	standard cable length L
with leads and connector	95 ± 5 mm
others	on request



Screw in contour



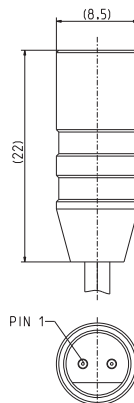
**Technical Data**

Type	cartridge valve	
Construction	2/2-way screw-in, servo controlled	
Function	NC (normally closed)	
Connection	thread M22 x 2	
Fitting position	any	
Media	cold and heated potable water and physically and chemically similar media	
T-Medium	5 - 70	°C.
T-Ambient	5 - 60	°C
DN	5	mm
p-Operating	0,5 - 10,0	bar
Cv-value	8,5	l/min
pressure surge	according to EN 60730	
Burst pressure	according to EN 60730	
Nominal voltage	12	V DC
	24	V DC
	other voltages on request	
Voltage tolerance	-15 % +10 %	
optional voltage reduction		
	t <sub>start</sub> : 100 ms tp:T ≥ 1:3 >100Hz PWM	
	t <sub>start</sub> : 100 ms tp:T ≥ 1:4 >1kHz PWM	
Nominal power	12 V DC	1,7 W
	24 V DC	1,8 W
Protection Type	IP 65	higher IP-classes on request
Insulation class	B	according to EN 60730

Good resistance to thermal (e.g., T-medium 80 °C / 10 minutes) and chemical disinfection.

Hygiene advantage by air testing prior to delivery.

Testing according EN 15091 and adjustment of the valve in the fitting upon request.



Male connector

**Polarity of connector:**

strand color **RED** Pin 1  
strand color **BLUE**

**PLUS(+)** pulse to open  
**MINUS(-)**

# Product Information

Mono stable cartridge valve, DN 5



A. u. K. Müller

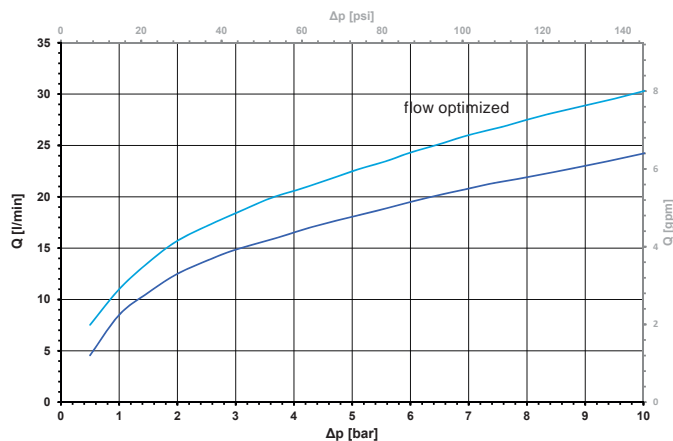
## Series 50.005.101

### Other variant on request

For use outside wash basin applications, a flow-optimized variant with a Kv value of 11 l / min is available on request.

The water hammer characteristics and noise emissions in accordance with DIN EN 15091 are to be tested in the corresponding faucet.

typical performance curve





Solenoid valves  
Control valves  
Special valves and systems

A. u. K. Müller GmbH & Co. KG  
Dresdener Str. 162  
D-40595 Düsseldorf/Germany

Tel.: +49(0)211-7391-0  
Fax: +49(0)211-7391-281

e-mail: [info@akmueller.de](mailto:info@akmueller.de)  
Internet: [www.akmueller.de](http://www.akmueller.de)