



Series 50.00x.126



For use with cartridge valves of series 50.007.101, 50.007.100 or 50.009.101.

Characteristics

- Long term performance capability
- Easy to assemble and service
- Standard connection
- Any fitting position
- High operating safety through the use of high quality and 100% final testing of the products

Applications

- Sanitary fittings
- Irrigation systems
- Industrial appliances

Description

The valve body adapter allows a variety of common inlet and outlet connections.

For use with cartridge valves series 50.007.101, 50.007.100 or 50.009.101 a screw cap version, pressure compliant according to DIN EN 60730, is available.

The valve body is made of PA 6.6.

For cartridge valves of series 050. ... or 50.007.100*) a screw-in adapter is provided. The screw-in version simplifies assembly, service and check of the valve.

The body adapter is made of PPE.



For use with cartridge valves of series 050. ... or 50.007.100*)

*) Not adaptable for valve types
50.007.100 bi M29
50.007.100 mono M29



Series 50.00x.126

For use with cartridge valves of series 50.007.101, 50.007.100 or 50.009.101.



Technical Data



| | | |
|-------------------|---|-----|
| Type | cartridge valve housing | |
| Construction | screw-in socket | |
| Fitting position | any | |
| Media | cold and heated potable water and physically and chemically similar media | |
| T-Medium | 5 - 70 | °C. |
| T-Ambient | 5 - 60 | °C |
| DN | 7 | mm |
| | 9 | mm |
| p-Operating | 0,5 - 10 | bar |
| Max.pressure Body | compliant according to EN 60730 | |

Materials

| | |
|------------|--------|
| Valve body | PA 6/6 |
|------------|--------|

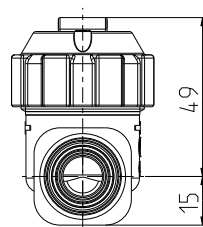
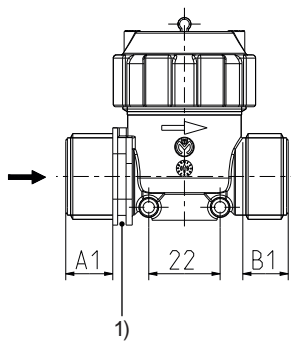
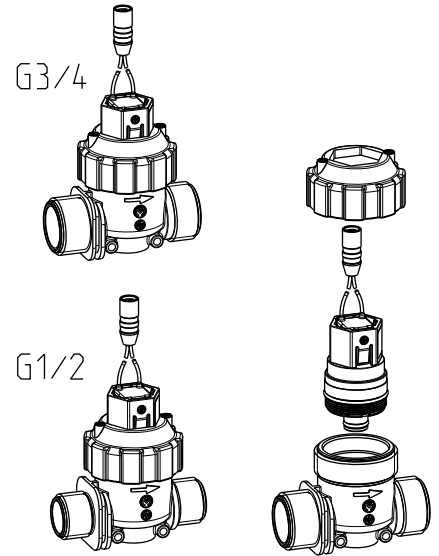
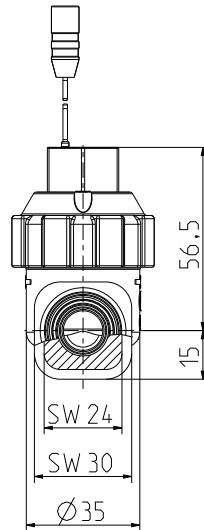
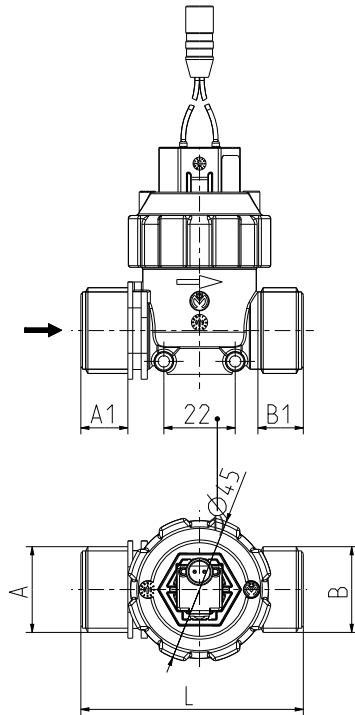
Options

| Inlet | | Outlet | | Length | For cartridge valves | |
|-------|------|--------|------|--------|---------------------------|------------|
| Ø A | A1 | Ø B | B1 | L | 50.007.101/ 50.007.100 | 50.009.101 |
| G 3/4 | 14,5 | G 3/4 | 14,5 | 68,6 | 009056 | 009925 |
| G 1/2 | 15,0 | G 1/2 | 14,5 | 69,6 | 009055 | on request |
| G 3/4 | 10,0 | G 3/4 | 10,0 | 59,6 | on request | |

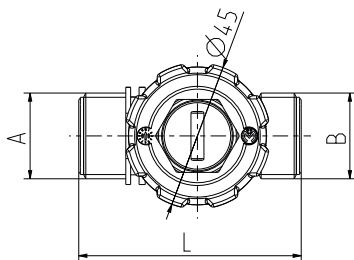
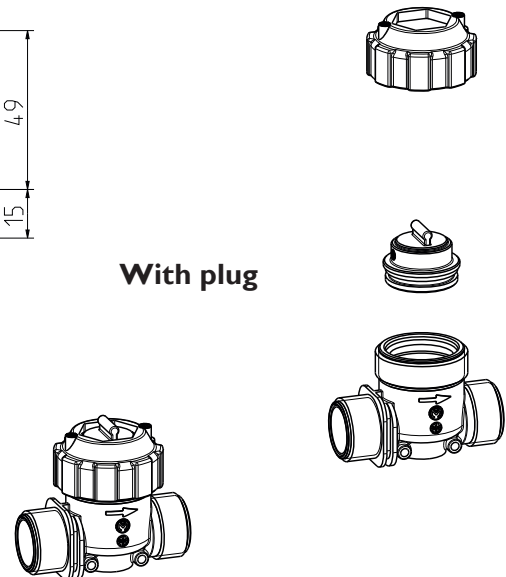
| Spare parts | ID | |
|--|--------------------------|---|
| Swivel nut for plug and valve 50.007.100 | 009057 |  |
| Swivel nut for plug and valve 50.007.101 | 009787 | |
| Plug and o-ring | 009058 and 006585 |  |



Series 50.00x.126



With plug



1) Fixing groove

■ For variants with shut-off valve see data sheet 52.007.126 or shut-off valve and strainer see data sheet 52.007.1xx.

Series 50.00x.126

 Assembly instructions

Please proceed with the installation as follows:

1

Place the cap before screwing on the valve first.

2

The cutout in the upper cap opening must be aligned with the cable exit of the valve and must lie flush.

3

Screw cap and valve simultaneously in the housing to prevent damages caused by misalignment of the valve.

1



2



3





Series 50.00x.126

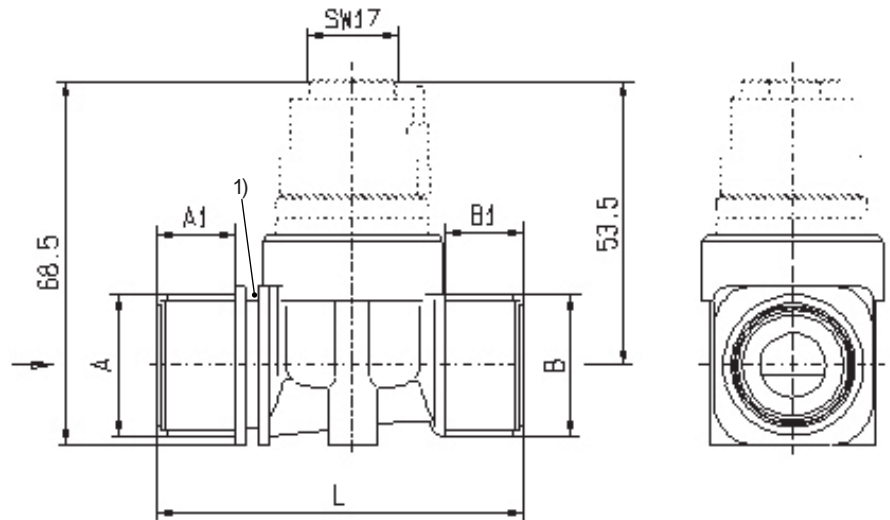
For use with cartridge valves of series 050. ... or 50.007.100*)



| Technical Data | |
|-------------------|---|
| Type | cartridge valve housing |
| Construction | Screw-in socket |
| Fitting position | any |
| Media | cold and heated potable water and physically and chemically similar media |
| T-Medium | 5 - 70 °C. |
| T-Ambient | 5 - 60 °C |
| DN | 7 mm |
| p-Operating | 0,5 - 8,0 bar |
| Max.pressure Body | 25 bar |

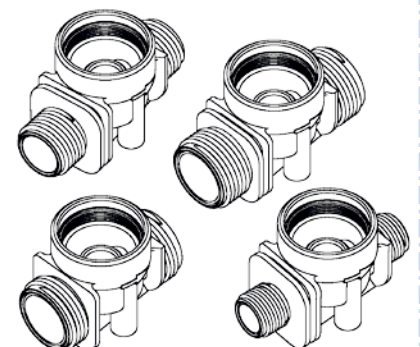
*) Not adaptable for valve types
50.007.100 bi M29
50.007.100 mono M29

| Materials | |
|------------|-----|
| Valve body | PPE |



| Options | | | | | |
|---------|------|------------------|--------|------|--------------|
| Inlet | | 1) Fixing groove | Outlet | | Length |
| A | A 1 | | B | B 1 | L |
| G 3/4 | 10 | no | G 3/4 | 10 | 55 |
| G 3/4 | 14,5 | yes | G 3/4 | 14,5 | 68 |
| G 3/4 | 18 | yes | G 3/4 | 18 | 75 on demand |
| G 1/2 | 15 | yes | G 1/2 | 15 | 69 |
| G 3/8 | 13 | yes | G 3/8 | 13 | 65 |
| G 3/4 | 14,5 | yes | G 1/2 | 15 | 69 |

Further mounting variants and different angled outlets on request.





Series 50.00x.126

