

# Product Information

## Mono stable axial cartridge valve, DN 7



### A.u.K. Müller

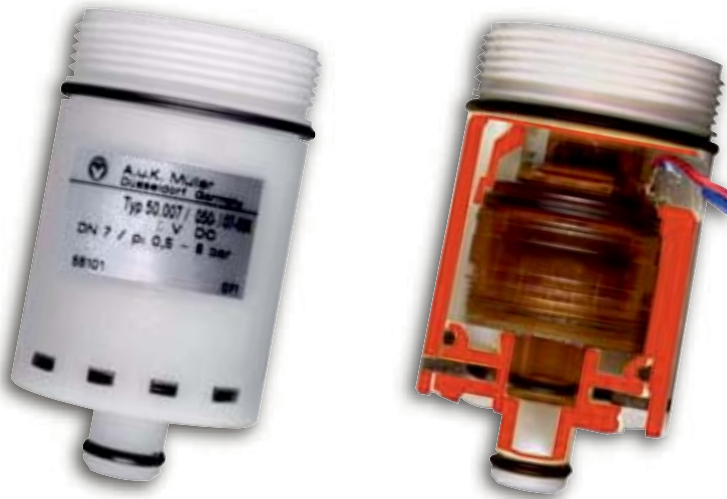
Solenoid valves  
Control valves  
Special valves and systems

A.u.K. Müller GmbH & Co. KG  
Dresdener Str. 162  
D-40595 Düsseldorf/Germany

Tel.: +49 211 7391-0  
Fax: +49 211 7391-281

e-mail: [info@akmueller.de](mailto:info@akmueller.de)  
Internet: [www.akmueller.de](http://www.akmueller.de)

### Series 050-M07-I2X/-24X



Patented EP 0 936 317

### Characteristics

- servo-controlled
- pre tested functional unit
- long term performance capability
- internal triple pollution protection
- compact design
- optimized Cv-value for DN 7
- optimized water hammer characteristic by low noise emission according to EN 60730
- easy to assemble and service
- standard connection
- cylindrical design
- low power consumption
- any fitting position
- suitable for spray and jet water
- high operating safety through the use of high quality and 100% final testing of the products

### Applications

- sanitary fittings
- irrigation systems
- industrial appliances
- pilot system for valves with a larger nominal diameter

### Description

2/2-way solenoid cartridge servo controlled valve of DN 7 in mono stable version, to be used particularly in electronically controlled sanitary fittings.

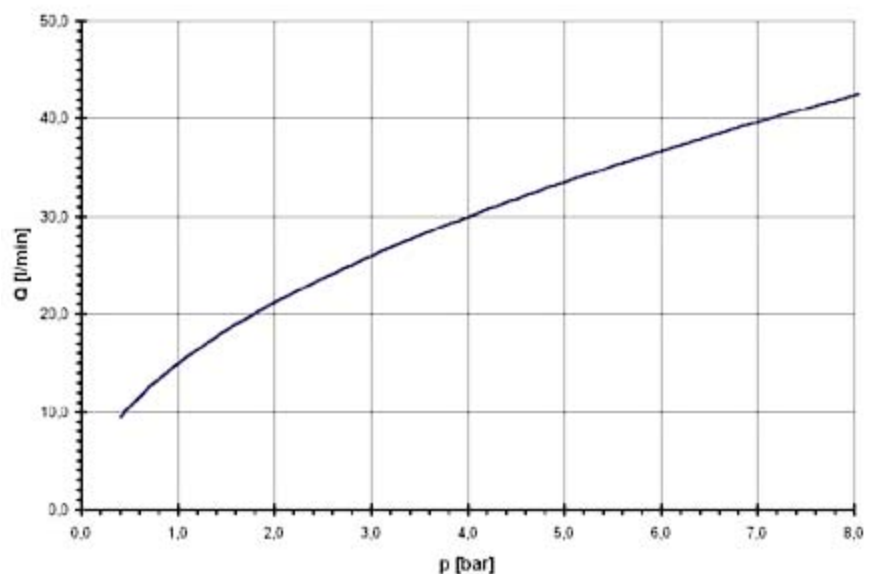
The design outline had been reduced so far, that integration in appropriate components while using a minimum amount of space, is given.

Positive properties are extended due to the simple "screw in" version, which supports easy assembly, service and tests by the customer.

The design of a separate valve seat by the customer is not to apply, as otherwise is needed, if a pilot valve will solely be used.

The rate of flow of the cartridge valve has been optimized in such a way, that the nominal diameter of DN 7 fulfils the standard requirements for sanitary tap ware.

typical performance curve



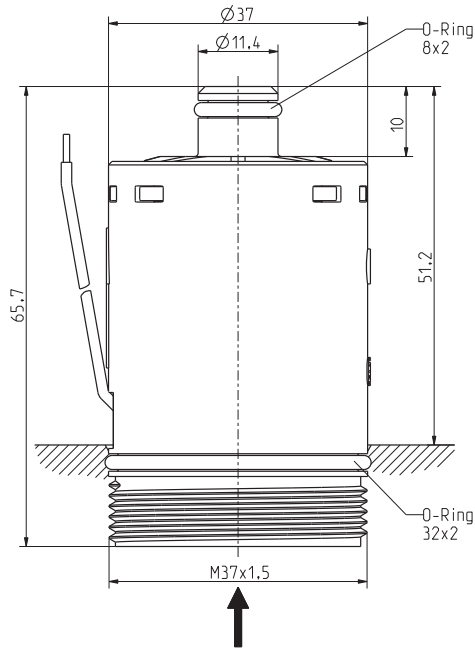
# Product Information

Mono stable axial cartridge valve, DN 7



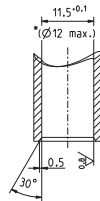
A.u.K. Müller

## Series 050-M07-12X/-24X

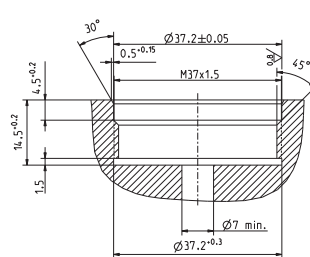


## Materials

<b>Valve body</b>	POM, PEI
<b>Plunger guide</b>	stainless steel
<b>Plunger</b>	stainless steel
<b>Membrane and sealings</b>	EPDM NBR (on request) VMQ (on request)
<b>Coil</b>	1.0338 "pot"-bracket
<b>Filter</b>	stainless steel (in inlet)
<b>Certification</b>	NSF, WRAS materials in contact with potable water are physiological harmless



Auslaufkontur



Einschraubkontur

## Technical Data

<b>Type</b>	2/2-way-cartridge valve	
<b>Construction</b>	screw-in, servo controlled	
<b>Function</b>	normally closed (NC)	
<b>Connection</b>	thread M37 x 1,5	
<b>Fitting position</b>	any	
<b>Media</b>	cold and heated potable water and physically and chemically similar media	
<b>T-Medium</b>	5 - 70	°C.
<b>T-Ambient</b>	5 - 60	°C
<b>DN</b>	7	mm
<b>p-Operating</b>	0,5 - 8,0	bar
<b>Cv-value</b>	15	l/min
<b>Pressure surge</b>	according to EN 60730	
<b>Coil type</b>	MS.033	
<b>Nominal voltage</b>	12 24	V DC V DC
	special voltage on request	
<b>Voltage tolerance</b>	-15% +10%	
<b>Voltage reduction</b>		
	tstart : 100 ms tp:T ≥ 1:4 [≥1,6kHz] PWM	
<b>Duty cycle</b>	100%	
<b>Nominal power</b>	2 W	
<b>Protection Type</b>	IP 65	higher IP-classes on request
<b>Insulation class</b>	F	according to EN 60730
<b>Protection class</b>	III	according to EN 60730

## Options

Connection type	standard cable length
with leads and connector	100 mm
with leads	120 mm
connector	on request