

Product Information

Bi stable axial cartridge valve, DN 7



A.u.K. Müller

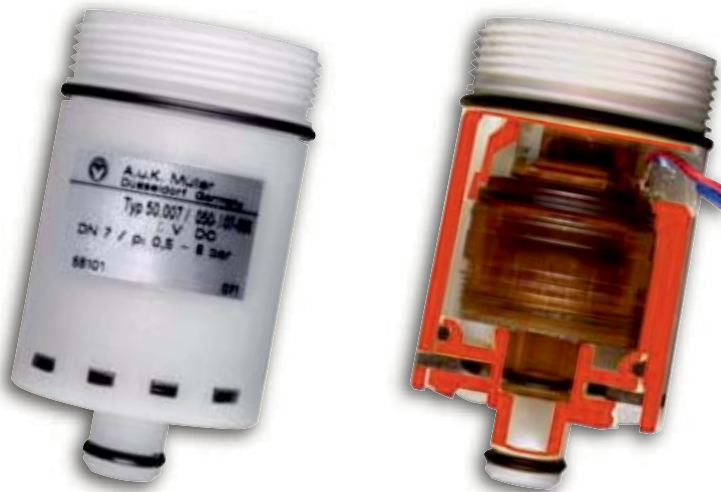
Solenoid valves
Control valves
Special valves and systems

A.u.K. Müller GmbH & Co. KG
Dresdener Str. 162
D-40595 Düsseldorf/Germany

Tel.: +49 211 7391-0
Fax: +49 211 7391-281

e-mail: info@akmueller.de
Internet: www.akmueller.de

Series 050-B07-03X/-06X/-09X



Patented EP 0 936 317

Characteristics

- servo-controlled
- pre tested functional unit
- long term performance capability
- internal triple pollution protection
- compact design
- optimized Cv-value for DN 7
- optimized water hammer characteristic by low noise emission according to EN 60730
- easy to assemble and service
- standard connection
- cylindrical design
- low power consumption
- any fitting position
- suitable for spray and jet water
- high operating safety through the use of high quality and 100% final testing of the products

Applications

- sanitary fittings
- irrigation systems
- industrial appliances
- pilot system for valves with a larger nominal diameter

Description

2/2-way solenoid cartridge servo controlled valve of DN 7 in bi stable version, to be used particularly in electronically controlled sanitary fittings.

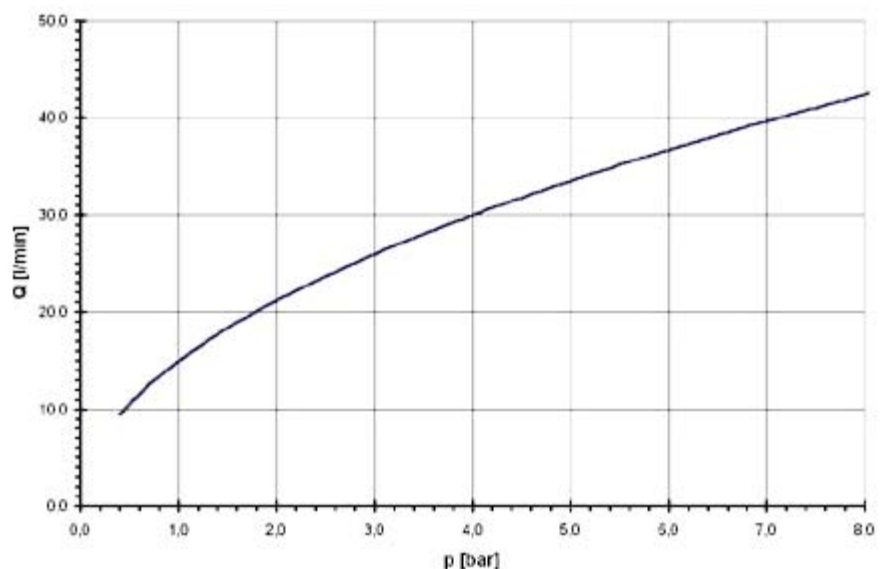
The power consumption is minimised by the use of impulse control (pwm) to increase long term performance, durability and battery life.

The design outline had been reduced so far, that integration in appropriate components while using a minimum amount of space, is given.

Positive properties are extended due to the simple "screw in" version, which supports easy assembly, service and tests by the customer. The design of a separate valve seat by the customer is not to apply, as otherwise is needed, if a pilot valve will solely be used.

The rate of flow of the cartridge valve has been optimized in such a way, that the nominal diameter of DN 7 fulfils the standard requirements for sanitary tap ware.

typical performance curve



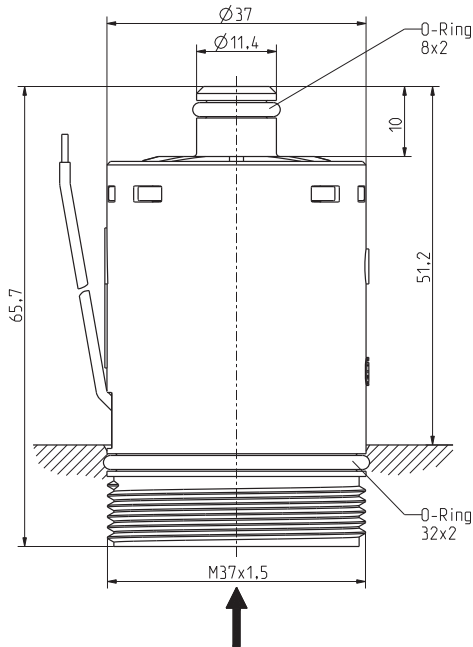
Product Information

Bi stable axial cartridge valve, DN 7

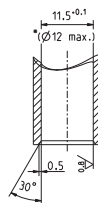


A.u.K. Müller

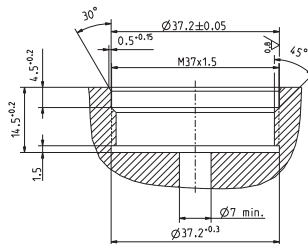
Series 050-B07-03X/-06X/-09X



Materials	
Valve body	POM, PEI
Plunger guide	stainless steel
Plunger	stainless steel
Membrane and sealings	EPDM NBR (on request) VMQ (on request)
Coil	Plastics incl. "pot"-bracket
Filter	stainless steel (in inlet)
Certification	NSF, WRAS materials in contact with potable water are physiological harmless



Austaufkontur



Einschraubkontur

Technical Data

Type	2/2-way-cartridge valve	
Construction	screw-in, servo controlled	
Function	bi stable, pulse controlled	
Connection	thread M37 x 1,5	
Fitting position	any	
Media	cold and heated potable water and physically and chemically similar media	
T-Medium	5 - 70	°C.
T-Ambient	5 - 60	°C
DN	7	mm
p-Operating	0,5 - 8,0	bar
Cv-value	15	l/min
Pressure surge	according to EN 60730	
Coil type	MS.033	
Nominal voltage	3	V DC
	6	V DC
	9	V DC
	special voltage on request	
Operating voltage	2,2 - 3,3 DC open/close	
	4 - 6 V DC open/close	
	6 - 9 V DC open/close	
	at T-Ambient: 25°C	
Pulse shape/-time		
	Nominal power	0,5 - 1,2 W
Protection Type	IP 65	higher IP-classes on request
Insulation class	F	according to EN 60730
Protection class	III	according to EN 60730

Options

Connection type	standard cable length
with leads and connector	100 mm
with leads	120 mm
connector	on request